

Product **Contacts: 12, Male panel mount connector, screwed from front, dip-soldered, M12 x 1, contact length 8 mm**
 Area **M12-A Series 713/763**
 Article number **09 3491 969 12**

Illustration	Scale drawing	Contact Arrangement																																																				
		<table border="1" style="margin: 10px auto;"> <thead> <tr> <th></th> <th>X</th> <th>Y</th> <th></th> </tr> </thead> <tbody> <tr><td>1</td><td>2,80</td><td>0,78</td><td>1 braun/brown</td></tr> <tr><td>2</td><td>0,78</td><td>2,80</td><td>2 blau/blue</td></tr> <tr><td>3</td><td>-1,09</td><td>2,69</td><td>3 weiß/white</td></tr> <tr><td>4</td><td>-2,51</td><td>1,46</td><td>4 grün/green</td></tr> <tr><td>5</td><td>-2,88</td><td>-0,37</td><td>5 rosa/pink</td></tr> <tr><td>6</td><td>-2,05</td><td>-2,05</td><td>6 gelb/yellow</td></tr> <tr><td>7</td><td>-0,37</td><td>-2,88</td><td>7 schwarz/black</td></tr> <tr><td>8</td><td>1,46</td><td>-2,51</td><td>8 grau/grey</td></tr> <tr><td>9</td><td>2,69</td><td>-1,09</td><td>9 rot/red</td></tr> <tr><td>10</td><td>0,78</td><td>0,78</td><td>10 violett/purple</td></tr> <tr><td>11</td><td>-1,06</td><td>0,29</td><td>11 grau/rosa/grey/pink</td></tr> <tr><td>12</td><td>0,29</td><td>-1,06</td><td>12 rot/blau/red/blue</td></tr> </tbody> </table> <p style="font-size: small; text-align: center;">Geschirmte Versionen: Schirm auf Gehäuse Shielded versions: shield on housing</p>		X	Y		1	2,80	0,78	1 braun/brown	2	0,78	2,80	2 blau/blue	3	-1,09	2,69	3 weiß/white	4	-2,51	1,46	4 grün/green	5	-2,88	-0,37	5 rosa/pink	6	-2,05	-2,05	6 gelb/yellow	7	-0,37	-2,88	7 schwarz/black	8	1,46	-2,51	8 grau/grey	9	2,69	-1,09	9 rot/red	10	0,78	0,78	10 violett/purple	11	-1,06	0,29	11 grau/rosa/grey/pink	12	0,29	-1,06	12 rot/blau/red/blue
	X	Y																																																				
1	2,80	0,78	1 braun/brown																																																			
2	0,78	2,80	2 blau/blue																																																			
3	-1,09	2,69	3 weiß/white																																																			
4	-2,51	1,46	4 grün/green																																																			
5	-2,88	-0,37	5 rosa/pink																																																			
6	-2,05	-2,05	6 gelb/yellow																																																			
7	-0,37	-2,88	7 schwarz/black																																																			
8	1,46	-2,51	8 grau/grey																																																			
9	2,69	-1,09	9 rot/red																																																			
10	0,78	0,78	10 violett/purple																																																			
11	-1,06	0,29	11 grau/rosa/grey/pink																																																			
12	0,29	-1,06	12 rot/blau/red/blue																																																			

You can find the assembly instruction on the next page.

Technical data

General features

Connector Design	male panel mount connector
Connector locking system	bolted
Termination	dip-solder
Upper temperature	85 °C
Lower temperature	-40 °C

Cable data

Approval 1	UL
------------	----

Electrical parameters

Rated voltage	30 V
Rated impulse voltage	500 V
Pollution degree	3
Overvoltage category	II
Material group	II
Rated current (40°C)	2 A
Volume resistivity	≤ 3 mΩ
EMV compliance	not shielded
Degree of protection	IP68
Mechanical operation	> 50 Mating cycles

Material

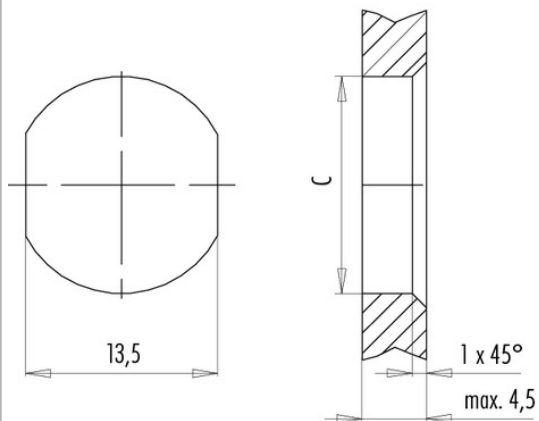
Material of contact	CuZn (Messing)
Contact plating	Au (gold)
Material of contact body	PA

Product **Contacts: 12, Male panel mount connector, screwed from front, dip-soldered, M12 x 1, contact length 8 mm**
 Area **M12-A Series 713/763**
 Article number **09 3491 969 12**

Installation instructions / Mounting cutout

Mit Fläche als Verdrehschutz
With flats as anti-rotation device

Mit Durchgangsbohrung
With bore hole



	C
PG 9	15,3
M16x1,5	16,1

Anzugsdrehmoment/Tightening moment

Metallgehäuse/Metal housing 6,25 Nm
 Kunststoffgehäuse/Plastic housing 3,75 Nm