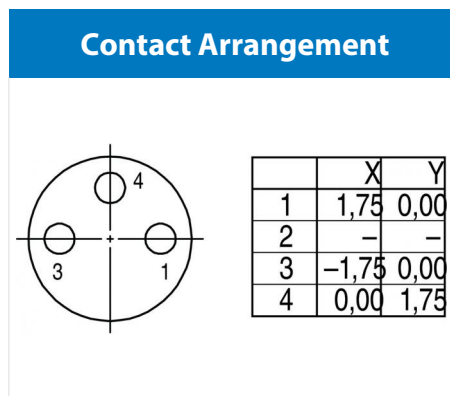
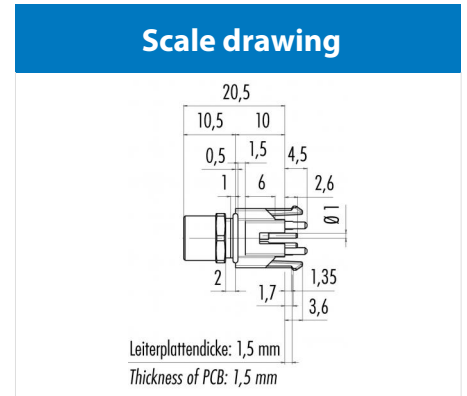
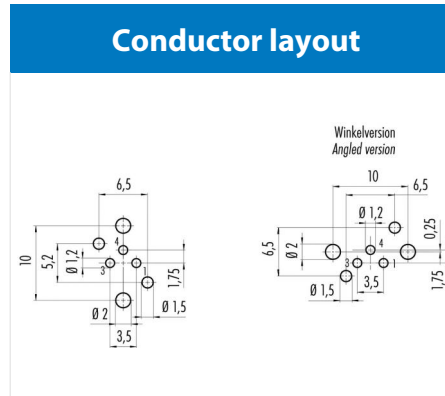


Product	<b>Contacts: 3, Female panel mount connector, straight, 10 mm, with UL approval</b>	Area	<b>M8 Series 768/718</b>
Pole	<b>3</b>	Article number	<b>99 3412 280 03</b>



**You can find the assembly instruction on the next page.**

## Technical data

### Common values

Connector Design	Female panel mount connector
Connector locking system	screw
Termination	dip-solder
Wire gauge (AWG)	-
Upper temperature	85 °C
Lower temperature	-40 °C

### Electrical values

Rated voltage	60 V
Rated impulse voltage	800 V
Pollution degree	3
Overtoltage category	II
Material group	II
Rated current (40°C)	4 A
Volume resistivity	≤ 3 mΩ
EMV compliance	not shielded
Degree of protection	IP67
Mechanical operation	> 100 mating cycles

### Material

Material of contact	CuSn (Bronze)
Contact plating	Au (Gold)
Material of contact body	PA (UL 94 HB)
Material of housing	CuZn (Brass nickel-plated)

Contacts: 3, Female panel mount connector, straight, 10 mm, with UL approval

Product

**Contacts: 3, Female panel mount connector, straight, 10 mm, with UL approval**  
3

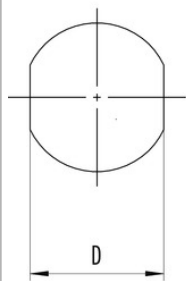
Area  
Article number

**M8 Series 768/718**  
**99 3412 280 03**

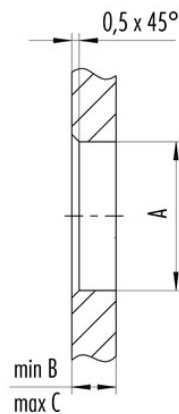
Pole

### Installation instructions / Mounting cutout

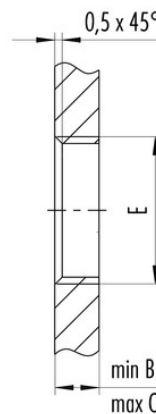
Mit Fläche als Verdrehschutz  
With flats as anti-rotation device



Mit Durchgangsbohrung  
With bore hole



Mit Gewinde, einschraubbar  
With thread to screw in



Gewinde E/thread E	A	B	C	D
M8 x 0,5	8,1	2,5	4,5	7,1
M10 x 0,75	10,1	2,5	5,0	9,1

Anzugsdrehmoment/Tightening moment 1 Nm