

Product sheet

Miniature connector

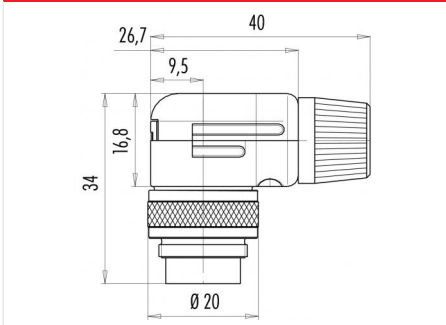


Product	Contacts: 5 Stereo, Male angled connector, cable outlet 6 - 8 mm, metal model, shieldable	Area	M16 IP40 Series 682
Pole	5 Stereo	Article number	99 0141 12 05

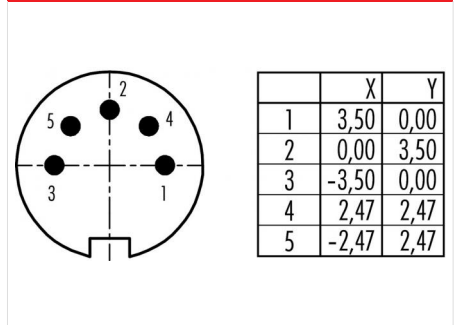
Illustration



Scale drawing



Contact Arrangement



You can find the item description on the next page.

Technical data

Common values

Connector Design	Male angled connector
Connector locking system	screw
Termination	Solder
Wire gauge (mm)	0.75 mm ²
Wire gauge (AWG)	20
Cable outlet	6 - 7.8 mm
Upper temperature	85 °C
Lower temperature	-40 °C

Electrical values

Rated voltage	60 V
Rated impulse voltage	500 V
Pollution degree	1
Overvoltage category	I
Material group	III
Rated current (40°C)	6 A
Volume resistivity	≤ 5 mΩ
EMV compliance	shielded
Degree of protection	IP40
Mechanical operation	> 500 mating cycles

Material

Material of contact	CuZn (Brass)
Contact plating	Ag (Silver)
Material of contact body	PBT (UL 94 V-0)
Material of housing	PA (UL 94 HB)

Contacts: 5 Stereo, Male angled connector, cable outlet 6 - 8 mm, metal model, shieldable, silver plated contacts

Product sheet

Miniature connector



Product

**Contacts: 5 Stereo, Male angled connector,
cable outlet 6 - 8 mm, metal model,
shieldable**

Area
Article number

**M16 IP40 Series 682
99 0141 12 05**

Pole

5 Stereo

Item description

