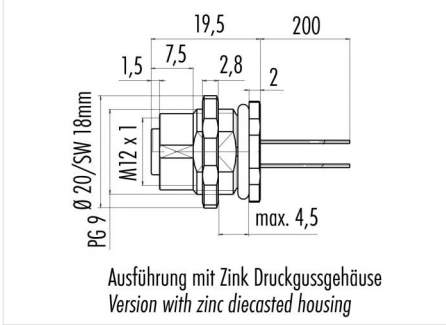


Product	<b>Contacts: 5, Female panel mount connector, screwed from front, with single wires, 0.25 mm<sup>2</sup></b>	Area	<b>M12-B Series 715/766</b>
Pole	<b>5</b>	Article number	<b>09 4442 116 05</b>

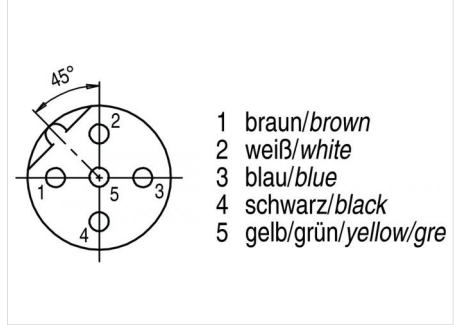
**Illustration**



**Scale drawing**



**Contact Arrangement**



You can find the assembly instruction on the next page.

**Technical data**

**Common values**

Connector Design	Female panel mount connector
Connector locking system	screw
Termination	Single wires
Wire gauge (mm)	0.25 mm <sup>2</sup>
Wire gauge (AWG)	24
Upper temperature	85 °C
Lower temperature	-40 °C

**Cable data**

material housing	-
Insulation single lead	-
Single lead structure	-
Conductor resistance	-
Bending radius cable fixed	-
Bending radius cable movable	-

**Electrical values**

Rated voltage	125 V
Rated impulse voltage	1500 V
Pollution degree	3
Overvoltage category	II
Material group	II
Rated current (40°C)	4 A
Volume resistivity	≤ 3 mΩ
EMV compliance	not shielded
Degree of protection	IP68
Mechanical operation	> 100 mating cycles

**Material**

Material of contact	CuSn (Bronze)
Contact plating	Au (Gold)
Material of contact body	PUR, PA
Material of housing	Nickel-plated zinc die casting

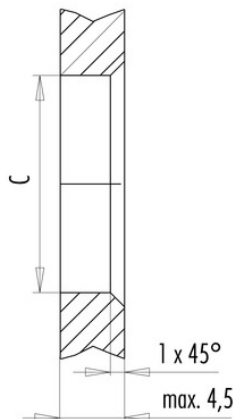
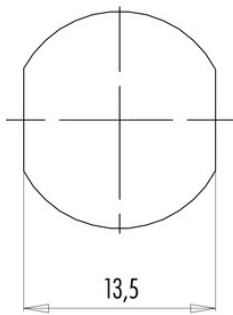
fixing thread: PG 9, Contacts: 5, Female panel mount connector screwed from the front, with single wires 0.25 mm<sup>2</sup>

Product	<b>Contacts: 5, Female panel mount connector, screwed from front, with single wires, 0.25 mm<sup>2</sup></b>	Area	<b>M12-B Series 715/766</b>
Pole	<b>5</b>	Article number	<b>09 4442 116 05</b>

Installation instructions / Mounting cutout

Mit Fläche als Verdrehschutz  
With flats as anti-rotation device

Mit Durchgangsbohrung  
With bore hole



	C
PG 9	15,3
M16x1,5	16,1

Anzugsdrehmoment/Tightening moment

Metallgehäuse/Metal housing 6,25 Nm  
Kunststoffgehäuse/Plastic housing 3,75 Nm