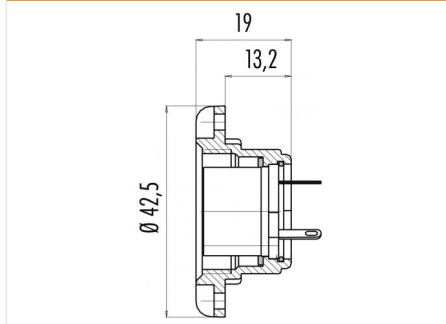


| | | | |
|---------|--------------------------------------------------|----------------|-----------------------------|
| Product | Contacts: 7, female panel mount connector | Area | M25 Power Series 691 |
| Pole | 7 | Article number | 09 0044 00 07 |

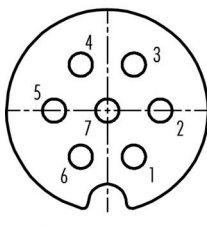
Illustration



Scale drawing



Contact Arrangement



| | X | Y |
|---|-------|-------|
| 1 | 2,50 | -4,33 |
| 2 | 5,00 | 0,00 |
| 3 | 2,50 | 4,33 |
| 4 | -2,50 | 4,33 |
| 5 | -5,00 | 0,00 |
| 6 | -2,50 | -4,33 |
| 7 | 0,00 | 0,00 |

You can find the assembly instruction on the next page.

Technical data

Common values

| | |
|--------------------------|------------------------------|
| Connector Design | Female panel mount connector |
| Connector locking system | screw |
| Termination | Solder |
| Wire gauge (mm) | 0.75 mm ² |
| Wire gauge (AWG) | 20 |
| Cable outlet | - |
| Upper temperature | 85 °C |
| Lower temperature | -40 °C |

Electrical values

| | |
|-----------------------|---------------------|
| Rated voltage | 250 V |
| Rated impulse voltage | 2500 V |
| Pollution degree | 1 |
| Overvoltage category | II |
| Material group | III |
| Rated current (40°C) | 5 A |
| Volume resistivity | ≤ 5 mΩ |
| EMV compliance | not shielded |
| Degree of protection | IP40 |
| Mechanical operation | > 500 mating cycles |

Material

| | |
|--------------------------|------------------|
| Material of contact | CuSn (Bronze) |
| Contact plating | Ag (Silver) |
| Material of contact body | PET (UL 94 V-0) |
| Material of housing | GD-Al (anodised) |

Contacts: 7, female panel mount connector

Product

Contacts: 7, female panel mount
connector
7

Area
Article number

M25 Power Series 691
09 0044 00 07

Pole

Installation instructions / Mounting cutout

