

Product  
Pole

**Contacts: 5, Integrated plug for PCB mounting, angled, with UL approval**  
5

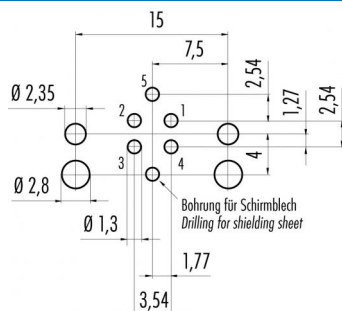
Area  
Article number

**M12-A Series 713/763**  
**99 3441 601 05**

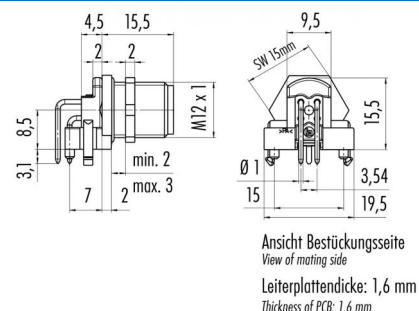
### Illustration



### Conductor layout



### Scale drawing



You can find the assembly instruction on the next page.

## Technical data

### Common values

Connector Design	Integrated male connector
Connector locking system	screw
Termination	dip-solder
Upper temperature	85 °C
Lower temperature	-40 °C

### Electrical values

Rated voltage	125 V
Rated impulse voltage	1500 V
Pollution degree	3
Overvoltage category	II
Material group	III
Rated current (40°C)	4 A
Volume resistivity	≤ 3 mΩ
Degree of protection	IP68
Mechanical operation	> 100 mating cycles

### Material

Material of contact	CuZn (Brass)
Contact plating	Au (Gold)
Material of contact body	PA
Material of housing	CuZn (Brass nickel-plated)

Contacts: 5, Integrated plug for PCB mounting, angled, with shielding sheet, with UL approval

Product

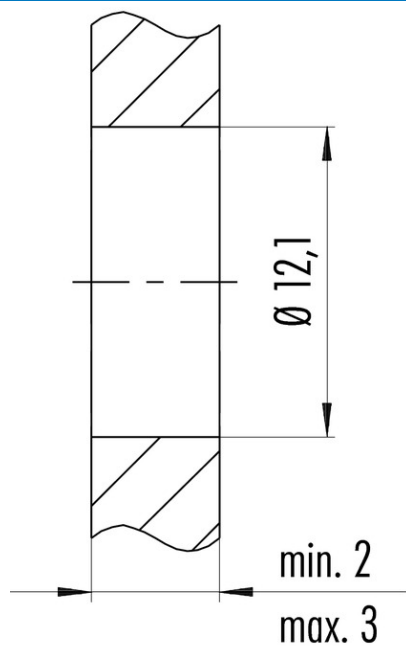
Contacts: 5, Integrated plug for PCB  
mounting, angled, with UL approval  
5

Area  
Article number

M12-A Series 713/763  
99 3441 601 05

Pole

### Installation instructions / Mounting cutout



Anzugsdrehmoment / *Tightening moment*  
M12 x 1      6,25 Nm