

# Product sheet

## Output connector

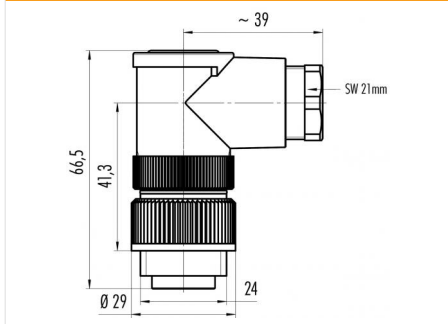


|         |   |                |                                  |
|---------|---|----------------|----------------------------------|
| Product | <b>Contacts 6+PE: Male angled connector, PG</b> | Area           | <b>RD24 Power Series 692/693</b> |
| Pole    | <b>13.5</b><br><b>6+PE</b>                      | Article number | <b>99 0217 215 07</b>            |

### Illustration



### Scale drawing



### Contact Arrangement

|    | X     | Y     |
|----|-------|-------|
| 1  | -3,25 | -3,54 |
| 2  | -4,76 | 0,63  |
| 3  | -2,22 | 4,26  |
| 4  | 2,22  | 4,26  |
| 5  | 4,76  | 0,63  |
| 6  | 3,25  | -3,54 |
| PE | 0,00  | 0,50  |

You can find the item description on the next page.

## Technical data

### Common values

|                          |                            |
|--------------------------|----------------------------|
| Connector Design         | Male angled connector      |
| Connector locking system | screw                      |
| Termination              | Screwing                   |
| Wire gauge (mm)          | 0.34 - 1.5 mm <sup>2</sup> |
| Wire gauge (AWG)         | 22-16                      |
| Cable outlet             | 10 - 12 mm                 |
| Upper temperature        | 100 °C                     |
| Lower temperature        | -40 °C                     |

### Electrical values

|                       |                     |
|-----------------------|---------------------|
| Rated voltage         | 250 V               |
| Rated impulse voltage | 4000 V              |
| Pollution degree      | 3                   |
| Overvoltage category  | III                 |
| Material group        | III                 |
| Rated current (40°C)  | 10 A                |
| Volume resistivity    | ≤ 5 mΩ              |
| EMV compliance        | nicht geschirmt     |
| Degree of protection  | IP67                |
| Mechanical operation  | > 500 mating cycles |

### Material

|                          |                 |
|--------------------------|-----------------|
| Material of contact      | CuZn (Brass)    |
| Contact plating          | Ag (Silver)     |
| Material of contact body | PBT (UL 94 V-0) |
| Material of housing      | PBT (UL 94 V-0) |

Contacts 6+PE: Male angled connector, PG 13.5, screw

Product

**Contacts 6+PE: Male angled connector, PG**

Area

**RD24 Power Series 692/693**

Pole

**13.5  
6+PE**

Article number

**99 0217 215 07**

### Item description

