

Product description	<b>Bajonett HEC female panel mount connector, Contacts: 4+3+PE, Shielding is not possible, crimp (Crimp contacts must be ordered separately), IP68/IP69K</b>
Area	<b>Bajonett HEC series 696</b>
Order number	<b>09 6504 200 08</b>

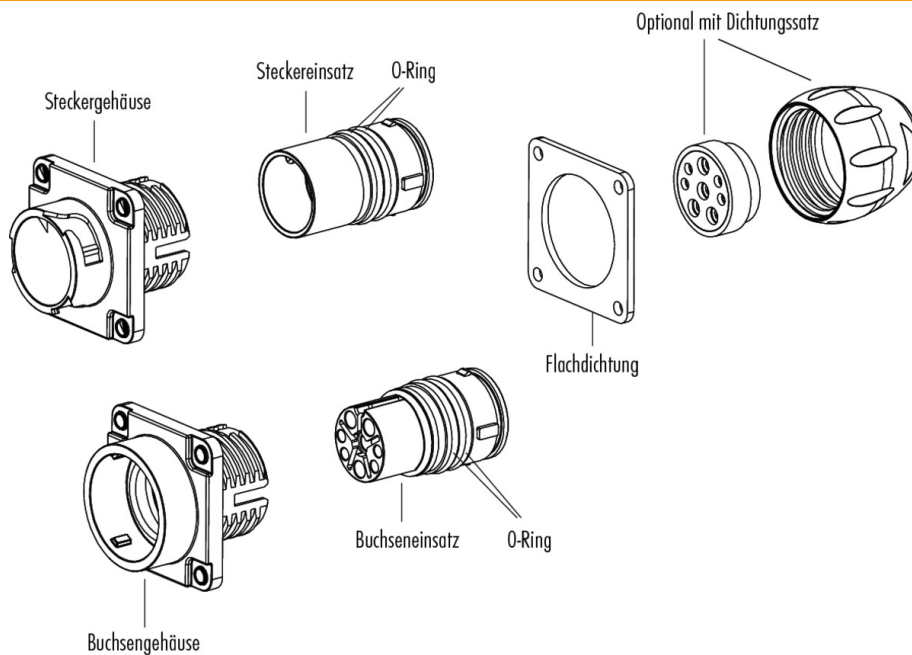
Illustration	Scale drawing	Contact arrangement																											
		<table border="1" style="margin-top: 10px;"> <thead> <tr> <th></th> <th>X</th> <th>Y</th> </tr> </thead> <tbody> <tr><td>1</td><td>3,68</td><td>5,50</td></tr> <tr><td>2</td><td>0</td><td>-6,60</td></tr> <tr><td>3</td><td>-3,68</td><td>5,50</td></tr> <tr><td>4</td><td>7,25</td><td>0,20</td></tr> <tr><td>5</td><td>5,90</td><td>-4,20</td></tr> <tr><td>6</td><td>-5,90</td><td>-4,20</td></tr> <tr><td>7</td><td>-7,25</td><td>0,20</td></tr> <tr><td>PE</td><td>0</td><td>0</td></tr> </tbody> </table> <p style="margin-top: 10px;">                     1, 2, 3, ⊕ ∅ 2,5 mm                      4, 5, 6, 7 ∅ 1,6 mm                 </p>		X	Y	1	3,68	5,50	2	0	-6,60	3	-3,68	5,50	4	7,25	0,20	5	5,90	-4,20	6	-5,90	-4,20	7	-7,25	0,20	PE	0	0
	X	Y																											
1	3,68	5,50																											
2	0	-6,60																											
3	-3,68	5,50																											
4	7,25	0,20																											
5	5,90	-4,20																											
6	-5,90	-4,20																											
7	-7,25	0,20																											
PE	0	0																											

**You can find the component part drawing and assembly instructions on the next page.**

Technical data		
<b>General values</b>		
Connector design	female panel mount connector	
Connector locking system	Bayonet	
Termination	crimp (Crimp contacts must be ordered separately)	
Wire gauge (mm)	0.14 - 2.50 mm <sup>2</sup>	
Wire gauge (AWG)	26 - 14	
Upper limit temperature	100 °C	
Lower limit temperature	- 40 °C	
Customs tariff number	85369010	
<b>Electrical values</b>		
Rated current (40 °C)	3 A signal / 25 A Power	
Rated voltage	60 V Signal / 400 V Power V	
Rated impulse voltage	1000 V	
Pollution degree	3	
Overvoltage category	III	
Insulating material group	I	
Insulation resistance	> 10 <sup>8</sup> Ω	
EMC compliance	Shielding is not possible	
Degree of protection	IP68/IP69K	
Mechanical operation	> 1000 Mating cycles	
<b>Material</b>		
Contact plating	depending on the crimp contact (accessory)	
Contact body material	PA	
Housing material	PA	

Product description	<b>Bajonett HEC female panel mount connector, Contacts: 4+3+PE, Shielding is not possible, crimp (Crimp contacts must be ordered separately), IP68/IP69K</b>
Area	<b>Bajonett HEC series 696</b>
Order number	<b>09 6504 200 08</b>

### Component part drawing



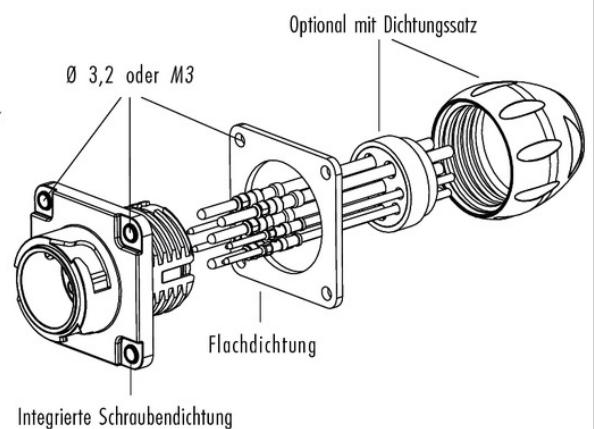
### Assembly instructions / Panel cut-out

1. Einzellitzen auf 7mm abisolieren.
2. Kontakte ancrimpen. \*
3. Angecrimpte Kontakte bis zum Einrasten in den Kontaktkörper eindrücken.
- 3.1. Optional bei Verwendung der Litzendichtung:  
 Benötigte Kammern der Litzendichtung mit einem spitzen Gegenstand durchstoßen und über die Kontakte auffädeln. Kontakte in den Kontaktkörper eindrücken, die Litzendichtung flach an den Körper auflegen und anschließend mit der Druckschraube festschrauben.
4. Die Druckschraube über das Litzenbündel aufschieben und anschließend festschrauben.  
 (empfohlenes Drehmoment 40cNm)

**Lösen der Kontakte:**

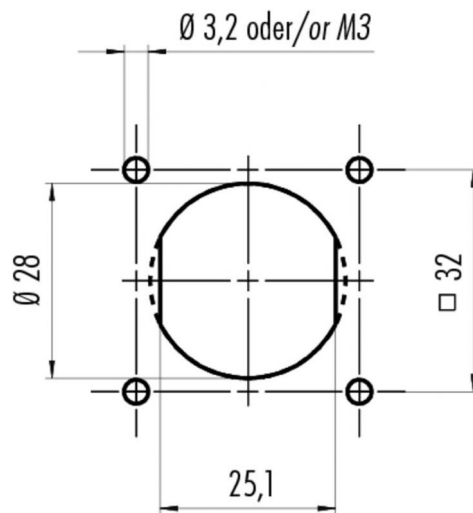
Da die Kontakte schwimmend gelagert sind, lässt sich das Lösewerkzeug mit leichten Pendelbewegungen bis auf Anschlag einführen. Danach zum Lösen den Ausdrückknopf betätigen.

* Crimpzange Bestell-Nr.		66 0003 001
Lösewerkzeug Kontakt	Ø 1,6mm	66 0004 001
	Ø 2,5mm	66 0011 001



Product description	<b>Bajonett HEC female panel mount connector, Contacts: 4+3+PE, Shielding is not possible, crimp (Crimp contacts must be ordered separately), IP68/IP69K</b>
Area	<b>Bajonett HEC series 696</b>
Order number	<b>09 6504 200 08</b>

### Assembly instructions / Panel cut-out



Alternative mit Abflachung  
Alternative with flats

Product description	<b>Bajonett HEC female panel mount connector, Contacts: 4+3+PE, Shielding is not possible, crimp (Crimp contacts must be ordered separately), IP68/IP69K</b>
Area	<b>Bajonett HEC series 696</b>
Order number	<b>09 6504 200 08</b>

## Security notices

The connector must not be connected or separated under load. Non-observance and incorrect use can result in personal injury.

The connectors are designed for use in plant, control system and electrical equipment. The end user is responsible for checking whether the connectors are suitable for use in other applications.