

Product sheet

Miniature connector



Product	Contacts: 3, Male panel mount connector, black, dip-solder	Area	Snap-in IP67 Series 720
Pole	3	Article number	99 9107 090 03

Illustration	Scale drawing	Contact Arrangement												
		<table border="1" style="margin-left: auto; margin-right: auto;"> <thead> <tr> <th></th> <th>X</th> <th>Y</th> </tr> </thead> <tbody> <tr> <td>1</td> <td>-2,43</td> <td>-1,40</td> </tr> <tr> <td>2</td> <td>2,43</td> <td>-1,40</td> </tr> <tr> <td>3</td> <td>0,00</td> <td>2,80</td> </tr> </tbody> </table>		X	Y	1	-2,43	-1,40	2	2,43	-1,40	3	0,00	2,80
	X	Y												
1	-2,43	-1,40												
2	2,43	-1,40												
3	0,00	2,80												

You can find the item description and assembly instruction on the next page.

Technical data

Common values

Connector Design	Male panel mount connector
Connector locking system	Snap
Termination	dip-solder
Wire gauge (mm)	max. 0.75 mm ²
Wire gauge (AWG)	max. 20
Upper temperature	85 °C
Lower temperature	-25 °C

Electrical values

Rated voltage	250 V
Rated impulse voltage	2500 V
Pollution degree	2
Overvoltage category	II
Material group	II
Rated current (40°C)	7 A
Volume resistivity	≤ 3 mΩ
EMV compliance	-
Degree of protection	IP67
Mechanical operation	> 500 mating cycles

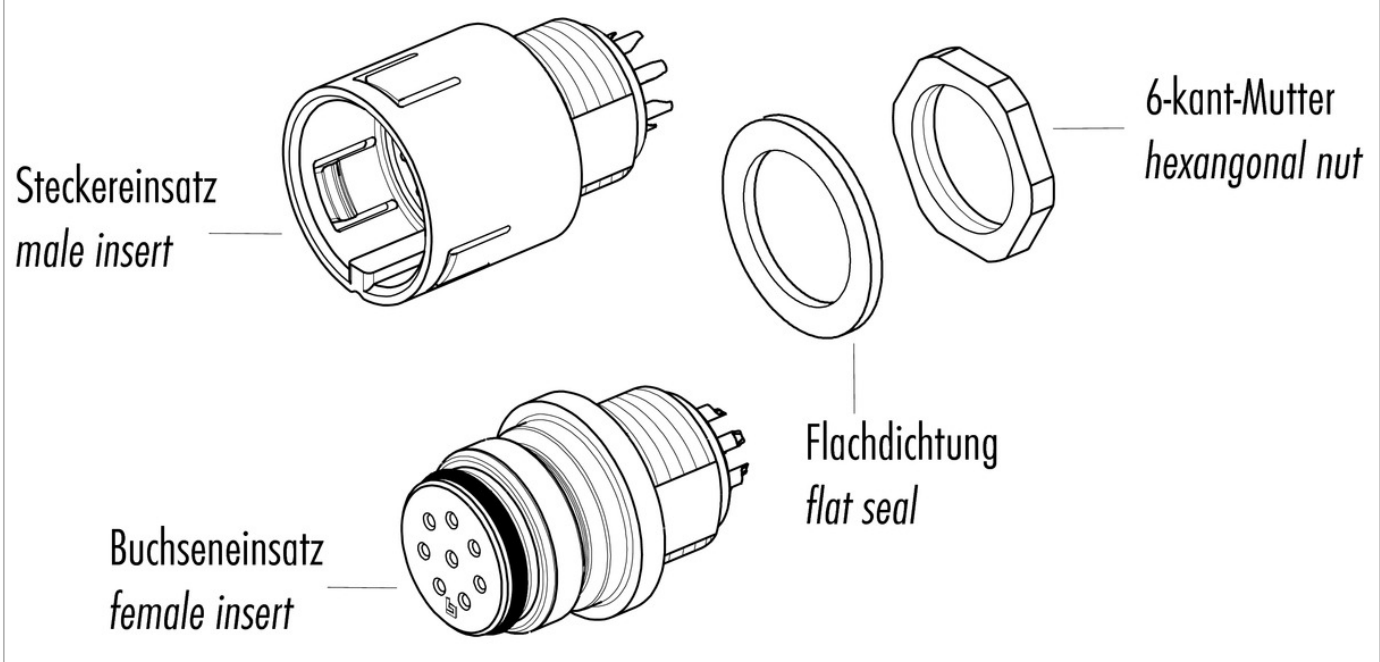
Material

Material of contact	CuZn (Brass)
Contact plating	Au (Gold)
Material of contact body	PA (UL 94 V-0)
Material of housing	PA (UL 94 V-0)

Contacts: 3, Male panel mount connector, black, dip-solder

Product	Contacts: 3, Male panel mount connector, black, dip-solder	Area	Snap-in IP67 Series 720
Pole	3	Article number	99 9107 090 03

Item description



Installation instructions / Mounting cutout

