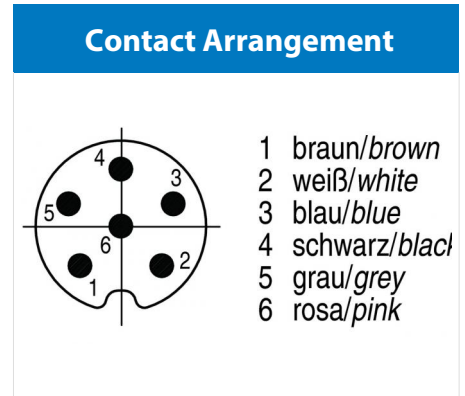
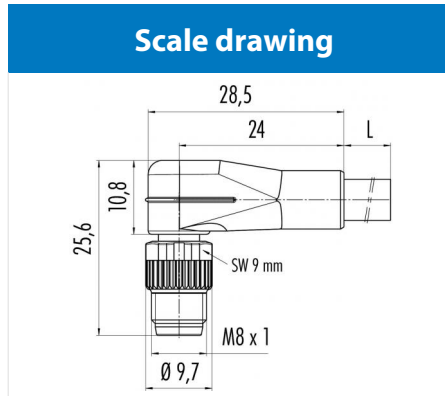


Product	Contacts: 6, Male angled connector, overmoulded, screw type M8 x 1, with hexagonal die-cast threaded ring	Area	M8 Series 718
Pole	6	Article number	77 3403 0000 50006-0500



Technical data

Common values

Connector Design	Male angled connector
Connector locking system	screw
Termination	crimp, injection-moulded cable
Wire gauge (mm)	0.25 mm ²
Wire gauge (AWG)	24
Upper temperature	85 °C
Lower temperature	-25 °C

Cable data

material housing	PUR
Insulation single lead	PP
Single lead structure	32 x 0.1
Cable sheath Ø	5
Conductor resistance	60Ω/Km
Temperature range cable movable c from	-25
Temperature range cable movable c to	80
Temperature range cable fixed c from	-50
Temperature range cable fixed c to	80
Bending radius cable fixed	min. 5 x D
Bending radius cable movable	min. 10 x D
Approval	UL, CSA

Electrical values

Rated voltage	30 V
Rated impulse voltage	800 V
Pollution degree	3
Overvoltage category	II
Material group	II
Rated current (40°C)	1.5 A
Volume resistivity	≤ 3 mΩ
EMV compliance	nicht geschirmt
Degree of protection	IP67
Mechanical operation	> 100 mating cycles

Material

Material of contact	CuZn (Brass)
Contact plating	Au (Gold)
Material of contact body	PUR
Material of housing	PUR

Contacts: 6, Cable length 5 m, cable: 6 x 0.25, PUR cable sheath, male angled connector, overmoulded, screw type M8 x 1, with hexagonal die-cast threaded ring