

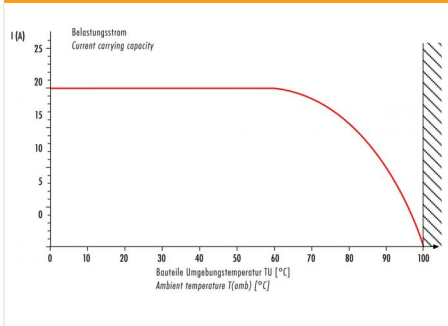
# Product sheet

## Output connector



Product	<b>Contacts: 12+PE, male panel mount connector</b>	Area	<b>RD30 Power Series 694</b>
Pole	<b>12+PE</b>	Article number	<b>99 0719 00 13</b>

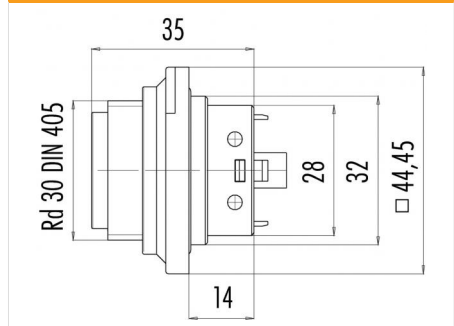
### Deratingkurven



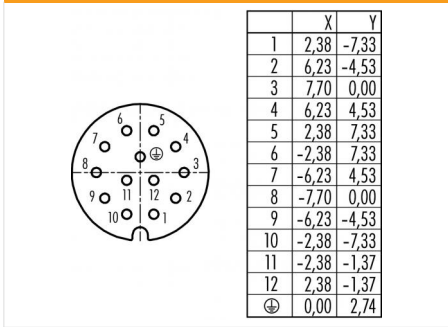
### Illustration



### Scale drawing



### Contact Arrangement



You can find the assembly instruction on the next page.

## Technical data

### Common values

Connector Design	Male panel mount connector
Connector locking system	screw
Termination	Solder
Wire gauge (mm)	1.00 mm <sup>2</sup>
Wire gauge (AWG)	18
Cable outlet	-
Upper temperature	100 °C
Lower temperature	-40 °C

### Electrical values

Rated voltage	250 V
Rated impulse voltage	4000 V
Pollution degree	3
Overvoltage category	III
Material group	III
Rated current (40°C)	6 A
Volume resistivity	≤ 3 mΩ
EMV compliance	not shielded
Degree of protection	IP65
Mechanical operation	> 500 mating cycles

### Material

Material of contact	CuZn (Brass)
Contact plating	Ag (Silver)
Material of contact body	PA (UL 94 HB)
Material of housing	PA (UL 94 V-0)

Contacts: 12+PE, male panel mount connector

Product

Contacts: 12+PE, male panel mount  
connector  
12+PE

Area  
Article number

RD30 Power Series 694  
99 0719 00 13

Pole

Installation instructions / Mounting cutout

