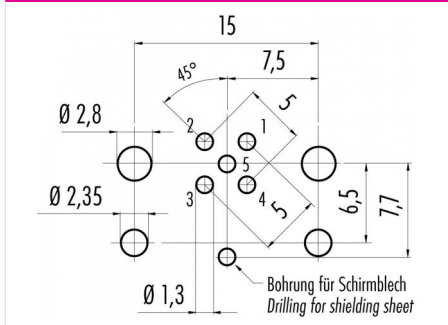


Product	<b>Contacts: 5, Integrated plug for PCB mounting, straight, with shielding sheet, with UL approval</b>	Area	<b>M12-B Series 715/766</b>
Pole	<b>5</b>	Article number	<b>99 4445 458 05</b>

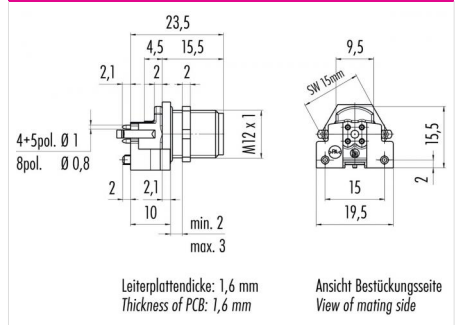
**Illustration**



**Conductor layout**



**Scale drawing**



You can find the assembly instruction on the next page.

**Technical data**

**Common values**

Connector Design	Integrated male connector
Connector locking system	screw
Termination	dip-solder
Wire gauge (mm)	-
Wire gauge (AWG)	-
Upper temperature	85 °C
Lower temperature	-40 °C

**Cable data**

material housing	-
Insulation single lead	-
Single lead structure	-
Conductor resistance	-
Bending radius cable fixed	-
Bending radius cable movable	-

**Electrical values**

Rated voltage	125 V
Rated impulse voltage	1500 V
Pollution degree	3
Overvoltage category	II
Material group	II
Rated current (40°C)	4 A
Volume resistivity	≤ 3 mΩ
EMV compliance	not shielded
Degree of protection	IP67
Mechanical operation	> 100 mating cycles

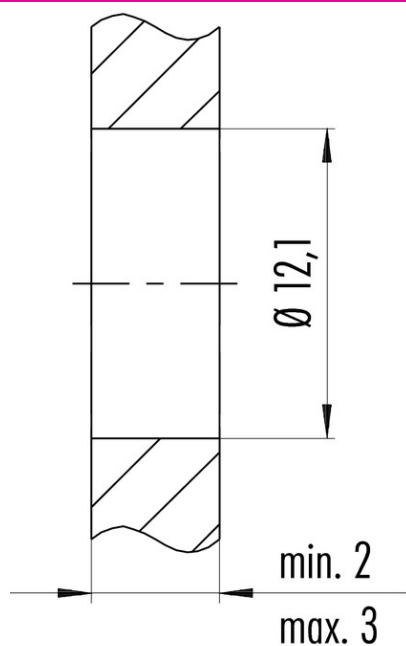
**Material**

Material of contact	CuZn (Brass)
Contact plating	Au (Gold)
Material of contact body	PA
Material of housing	CuZn (Brass nickel-plated)

Contacts: 5, Integrated plug for PCB mounting, straight, with shielding sheet, with UL approval

Product	<b>Contacts: 5, Integrated plug for PCB mounting, straight, with shielding sheet, with UL approval</b>	Area	<b>M12-B Series 715/766</b>
Pole	<b>5</b>	Article number	<b>99 4445 458 05</b>

Installation instructions / Mounting cutout



Anzugsdrehmoment / Tightening moment  
M12 x 1      6,25 Nm