

Product
Pole

Contacts: 3, Cable plug connector, overmoulded, snap version, 8mm
3

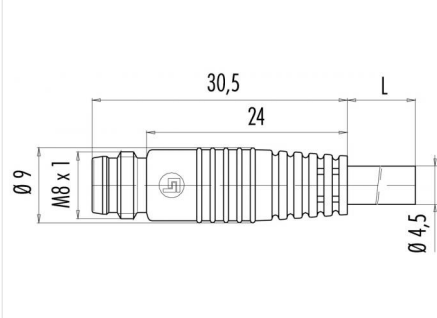
Area
Article number

M8 Series 718
79 3409 05 03

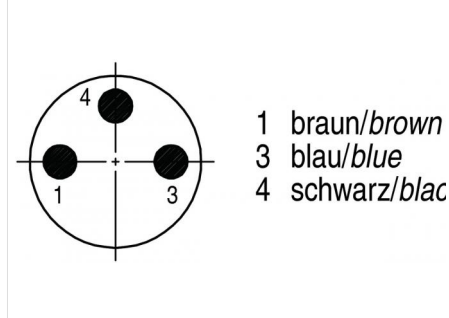
Illustration



Scale drawing



Contact Arrangement



Technical data

Common values

Connector Design	Cable plug connector
Connector locking system	Snap
Termination	crimp, injection-moulded cable
Wire gauge (mm)	0.14 mm ²
Wire gauge (AWG)	26
Upper temperature	70 °C
Lower temperature	-25 °C

Cable data

material housing	PVC
Insulation single lead	PVC
Single lead structure	18 x 0.1
Cable sheath Ø	3
Conductor resistance	148Ω/Km
Temperature range cable movable c from	-5
Temperature range cable movable c to	70
Temperature range cable fixed c from	-15
Temperature range cable fixed c to	70
Bending radius cable fixed	min. 5 x D
Bending radius cable movable	min. 10 x D
Approval	-

Electrical values

Rated voltage	60 V
Rated impulse voltage	800 V
Pollution degree	3
Overvoltage category	II
Material group	II
Rated current (40°C)	3 A
Volume resistivity	≤ 3 mΩ
EMV compliance	nicht geschirmt
Degree of protection	IP65
Mechanical operation	> 50 mating cycles

Material

Material of contact	CuZn (Brass)
Contact plating	Au (Gold)
Material of contact body	PUR
Material of housing	PUR

Contacts: 3, Cable length 5 m, cable: 3 x 0.14, PVC cable sheath, cable plug connector, overmoulded, snap version, 8 mm