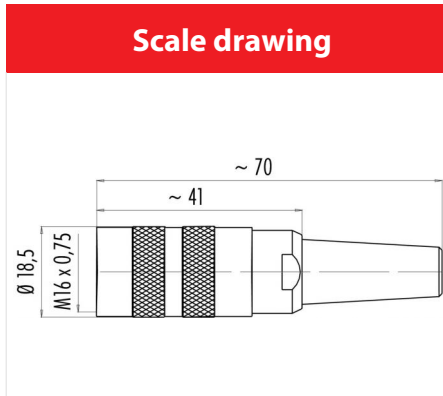


Product sheet

Miniature connector

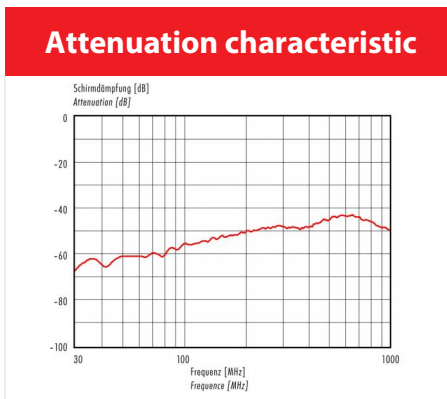


Product	Contacts: 24, Female cable connector with cable clamp, shieldable, cable outlet 6 - 8 mm	Area	M16 IP40 Series 581
Pole	24	Article number	99 2046 20 24



Contact Arrangement

X1	Y1
1	-4,00 -1,50
2	-4,00 0,35
3	-4,00 2,20
4	-2,40 3,10
5	-2,40 1,30
6	-2,40 -0,55
7	-2,40 -2,40
8	-0,80 -3,30
9	-0,80 -1,50
10	-0,80 0,35
11	-0,80 2,20
12	-0,80 4,00
13	0,80 3,10
14	0,80 1,30
15	0,80 -0,55
16	0,80 -2,40
17	2,40 -3,30
18	2,40 -1,50
19	2,40 0,35
20	2,40 2,20
21	2,40 4,00
22	4,00 1,30
23	4,00 -0,55
24	4,00 -2,40



You can find the item description on the next page.

Technical data

Common values

Connector Design	Female cable connector
Connector locking system	screw
Termination	Solder
Wire gauge (mm)	0.14 mm ²
Wire gauge (AWG)	26
Cable outlet	6 - 7.8 mm
Upper temperature	85 °C
Lower temperature	-40 °C

Electrical values

Rated voltage	60 V
Rated impulse voltage	500 V
Pollution degree	1
Overvoltage category	I
Material group	III
Rated current (40°C)	1 A
Volume resistivity	≤ 3 mΩ
EMV compliance	shielded
Degree of protection	IP40
Mechanical operation	> 500 mating cycles

Material

Material of contact	CuSn (Bronze)
Contact plating	Au (Gold)
Material of contact body	PBT (UL 94 V-0)
Material of housing	CuZn (Brass nickel-plated)

Contacts: 24, female cable connector with cable clamp, shieldable, cable outlet 6 - 8 mm, gold plated contacts

Product	Contacts: 24, Female cable connector with cable clamp, shieldable, cable outlet 6 - 8 mm	Area	M16 IP40 Series 581
Pole	24	Article number	99 2046 20 24

Item description

