

Product  
Pole

**Contacts: 3, Cable plug connector, overmoulded, snap version, 8mm 3**

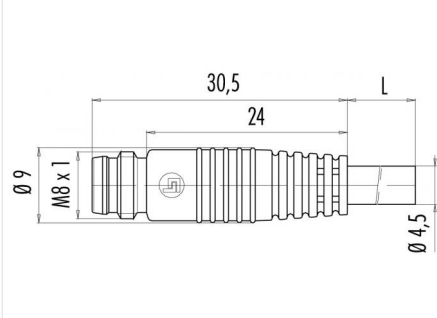
Area  
Article number

**M8 Series 718  
79 3409 52 03**

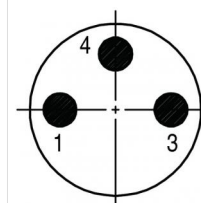
### Illustration



### Scale drawing



### Contact Arrangement



1 braun/brown  
3 blau/blue  
4 schwarz/black

## Technical data

### Common values

Connector Design	Cable plug connector
Connector locking system	Snap
Termination	crimp, injection-moulded cable
Wire gauge (mm)	0.25 mm <sup>2</sup>
Wire gauge (AWG)	24
Upper temperature	70 °C
Lower temperature	-25 °C

### Cable data

material housing	PUR
Insulation single lead	PVC
Single lead structure	32 x 0.1
Cable sheath Ø	4.5
Conductor resistance	72Ω/Km
Temperature range cable movable c from	-5
Temperature range cable movable c to	70
Temperature range cable fixed c from	-15
Temperature range cable fixed c to	70
Bending radius cable fixed	min. 5 x D
Bending radius cable movable	min. 10 x D
Approval	-

### Electrical values

Rated voltage	60 V
Rated impulse voltage	800 V
Pollution degree	3
Overvoltage category	II
Material group	II
Rated current (40°C)	4 A
Volume resistivity	≤ 3 mΩ
EMV compliance	nicht geschirmt
Degree of protection	IP65
Mechanical operation	> 50 mating cycles

### Material

Material of contact	CuZn (Brass)
Contact plating	Au (Gold)
Material of contact body	PUR
Material of housing	PUR

Contacts: 3, Cable length 2 m, cable: 3 x 0.25, PUR cable sheath, cable plug connector, overmoulded, snap version, 8 mm