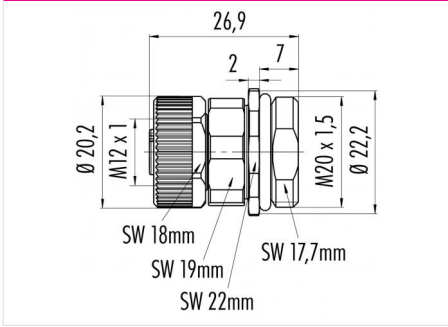


Product	Contacts: 4, Female panel mount connector, POWER, T-coding, M20 x 1.5	Area	M 12-T Series 813
Pole	4	Article number	99 0634 500 04

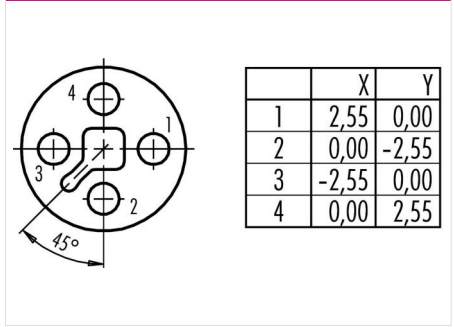
Illustration



Scale drawing



Contact Arrangement



You can find the assembly instruction on the next page.

Technical data

Common values

Connector Design	Female panel mount connector
Connector locking system	screw
Termination	schraubklemm
Wire gauge (mm)	1.50 mm ²
Wire gauge (AWG)	16
Cable outlet	-
Upper temperature	85 °C
Lower temperature	-40 °C

Electrical values

Rated voltage	63 V
Rated impulse voltage	1500 V
Pollution degree	3
Overvoltage category	III
Material group	III
Rated current (40°C)	12 A
Volume resistivity	≤ 3 mΩ
EMV compliance	-
Degree of protection	IP67
Mechanical operation	> 100 mating cycles

Material

Material of contact	CuSn (Bronze), CuZn (Brass)
Contact plating	Au (Gold)
Material of contact body	PA
Material of housing	Nickel-plated zinc die casting, nickel-plated brass

Contacts: 4, Female panel mount connector, POWER, T-coding, M20 x 1.5

Product	Contacts: 4, Female panel mount connector, POWER, T-coding, M20 x 1.5	Area	M 12-T Series 813
Pole	4	Article number	99 0634 500 04

Installation instructions / Mounting cutout

Mit Durchgangsbohrung
With bore hole

Mit Gewinde, einschraubbar
With thread to screw in

Anzugsdrehmoment/Tightening moment
M20 x 1,5 5 Nm

Installation instructions / Mounting cutout

Litzenquerschnitt
Wire cross section
max. 1,5 mm² 4-polig/contacts

Kontakteinsatz
Contact insert
4 x 90° verdrehbar/adjustable

Anzugsdrehmoment
Tightening torque
SW 19 Mutter/nut = 5 Nm M18 x 0,75
M20 x 1,5 = 5 Nm