
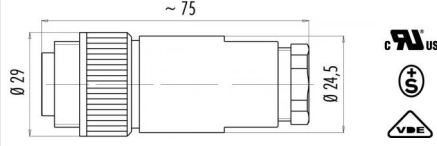
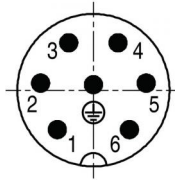


# Product sheet

## Output connector



|         |   |                |                                  |
|---------|---|----------------|----------------------------------|
| Product | <b>Contacts: 6+PE, cable plug connector with pinch ring, PG 13.5 with VDE, ETS, UL approval</b> | Area           | <b>RD24 Power Series 692/693</b> |
| Pole    | <b>6+PE</b>   | Article number | <b>99 4217 14 07</b>             |

| Illustration  | Scale drawing  | Contact Arrangement   |  |   |   |   |       |       |   |       |      |   |       |      |   |      |      |   |      |      |   |      |       |    |      |      |
|---|--|---|--|---|---|---|-------|-------|---|-------|------|---|-------|------|---|------|------|---|------|------|---|------|-------|----|------|------|
|  |  |  <table border="1" style="margin-left: auto; margin-right: auto;"> <thead> <tr> <th></th> <th>X</th> <th>Y</th> </tr> </thead> <tbody> <tr> <td>1</td> <td>-3,25</td> <td>-3,54</td> </tr> <tr> <td>2</td> <td>-4,76</td> <td>0,63</td> </tr> <tr> <td>3</td> <td>-2,22</td> <td>4,26</td> </tr> <tr> <td>4</td> <td>2,22</td> <td>4,26</td> </tr> <tr> <td>5</td> <td>4,76</td> <td>0,63</td> </tr> <tr> <td>6</td> <td>3,25</td> <td>-3,54</td> </tr> <tr> <td>PE</td> <td>0,00</td> <td>0,50</td> </tr> </tbody> </table> |  | X | Y | 1 | -3,25 | -3,54 | 2 | -4,76 | 0,63 | 3 | -2,22 | 4,26 | 4 | 2,22 | 4,26 | 5 | 4,76 | 0,63 | 6 | 3,25 | -3,54 | PE | 0,00 | 0,50 |
|   | X  | Y   |  |   |   |   |       |       |   |       |      |   |       |      |   |      |      |   |      |      |   |      |       |    |      |      |
| 1   | -3,25  | -3,54   |  |   |   |   |       |       |   |       |      |   |       |      |   |      |      |   |      |      |   |      |       |    |      |      |
| 2   | -4,76  | 0,63  |  |   |   |   |       |       |   |       |      |   |       |      |   |      |      |   |      |      |   |      |       |    |      |      |
| 3   | -2,22  | 4,26  |  |   |   |   |       |       |   |       |      |   |       |      |   |      |      |   |      |      |   |      |       |    |      |      |
| 4   | 2,22   | 4,26  |  |   |   |   |       |       |   |       |      |   |       |      |   |      |      |   |      |      |   |      |       |    |      |      |
| 5   | 4,76   | 0,63  |  |   |   |   |       |       |   |       |      |   |       |      |   |      |      |   |      |      |   |      |       |    |      |      |
| 6   | 3,25   | -3,54   |  |   |   |   |       |       |   |       |      |   |       |      |   |      |      |   |      |      |   |      |       |    |      |      |
| PE  | 0,00   | 0,50  |  |   |   |   |       |       |   |       |      |   |       |      |   |      |      |   |      |      |   |      |       |    |      |      |

You can find the item description on the next page.

## Technical data

### Common values

|                          |                           |
|--------------------------|---------------------------|
| Connector Design         | Cable plug connector      |
| Connector locking system | screw                     |
| Termination              | Screwing                  |
| Wire gauge (mm)          | 0.34 -1.5 mm <sup>2</sup> |
| Wire gauge (AWG)         | 22-16                     |
| Cable outlet             | 10 - 12 mm                |
| Upper temperature        | 100 °C                    |
| Lower temperature        | -40 °C                    |

### Electrical values

|                       |                     |
|-----------------------|---------------------|
| Rated voltage         | 250 V               |
| Rated impulse voltage | 4000 V              |
| Pollution degree      | 3                   |
| Overvoltage category  | III                 |
| Material group        | III                 |
| Rated current (40°C)  | 10 A (8 A UL)       |
| Volume resistivity    | ≤ 5 mΩ              |
| EMV compliance        | not shielded        |
| Degree of protection  | IP67                |
| Mechanical operation  | > 500 mating cycles |

### Material

|                          |                 |
|--------------------------|-----------------|
| Material of contact      | CuZn (Brass)    |
| Contact plating          | Ag (Silver)     |
| Material of contact body | PBT (UL 94 V-0) |
| Material of housing      | PBT (UL 94 V-0) |

Contacts: 6+PE, cable plug connector with pinch ring, PG 13.5 with VDE, ETS, UL approval, screw,



|         |   |                |                                  |
|---------|---|----------------|----------------------------------|
| Product | <b>Contacts: 6+PE, cable plug connector with pinch ring, PG 13.5 with VDE, ETS, UL approval</b> | Area           | <b>RD24 Power Series 692/693</b> |
| Pole    | <b>6+PE</b>   | Article number | <b>99 4217 14 07</b>             |

### Item description

