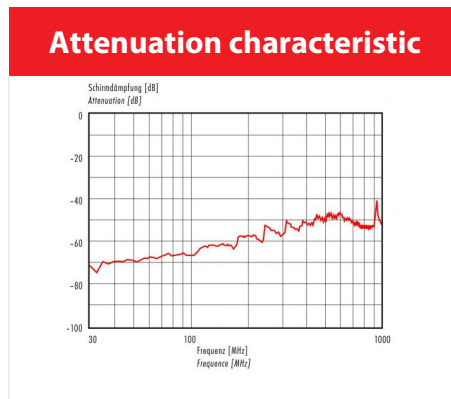
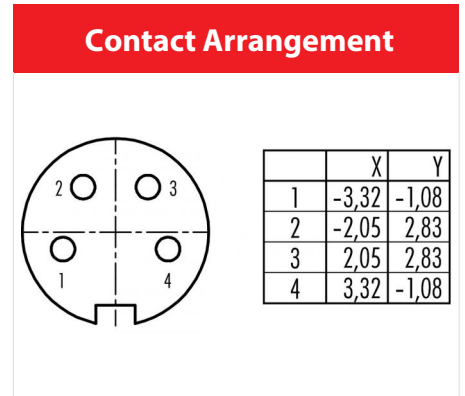
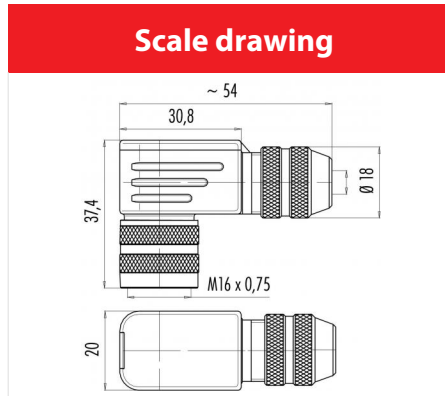


# Product sheet

## Miniature connector



|         |  |                |                            |
|---------|--|----------------|----------------------------|
| Product | <b>Contacts: 4, Female angled connector, shieldable, cable outlet 6 - 8 mm, with UL approval</b> | Area           | <b>M16 IP67 Series 423</b> |
| Pole    | <b>4</b>   | Article number | <b>99 5610 75 04</b>       |



You can find the item description and assembly instruction on the next page.

## Technical data

### Common values

|                          |                         |
|--------------------------|-------------------------|
| Connector Design         | Female angled connector |
| Connector locking system | screw                   |
| Termination              | Solder                  |
| Wire gauge (mm)          | 0.75 mm <sup>2</sup>    |
| Wire gauge (AWG)         | 20                      |
| Cable outlet             | 6 - 8 mm                |
| Upper temperature        | 95 °C                   |
| Lower temperature        | -40 °C                  |

### Electrical values

|                       |                     |
|-----------------------|---------------------|
| Rated voltage         | 250 V               |
| Rated impulse voltage | 1500 V              |
| Pollution degree      | 1                   |
| Overvoltage category  | I                   |
| Material group        | III                 |
| Rated current (40°C)  | 6 A                 |
| Volume resistivity    | ≤ 5 mΩ              |
| EMV compliance        | shielded            |
| Degree of protection  | IP67                |
| Mechanical operation  | > 500 mating cycles |

### Material

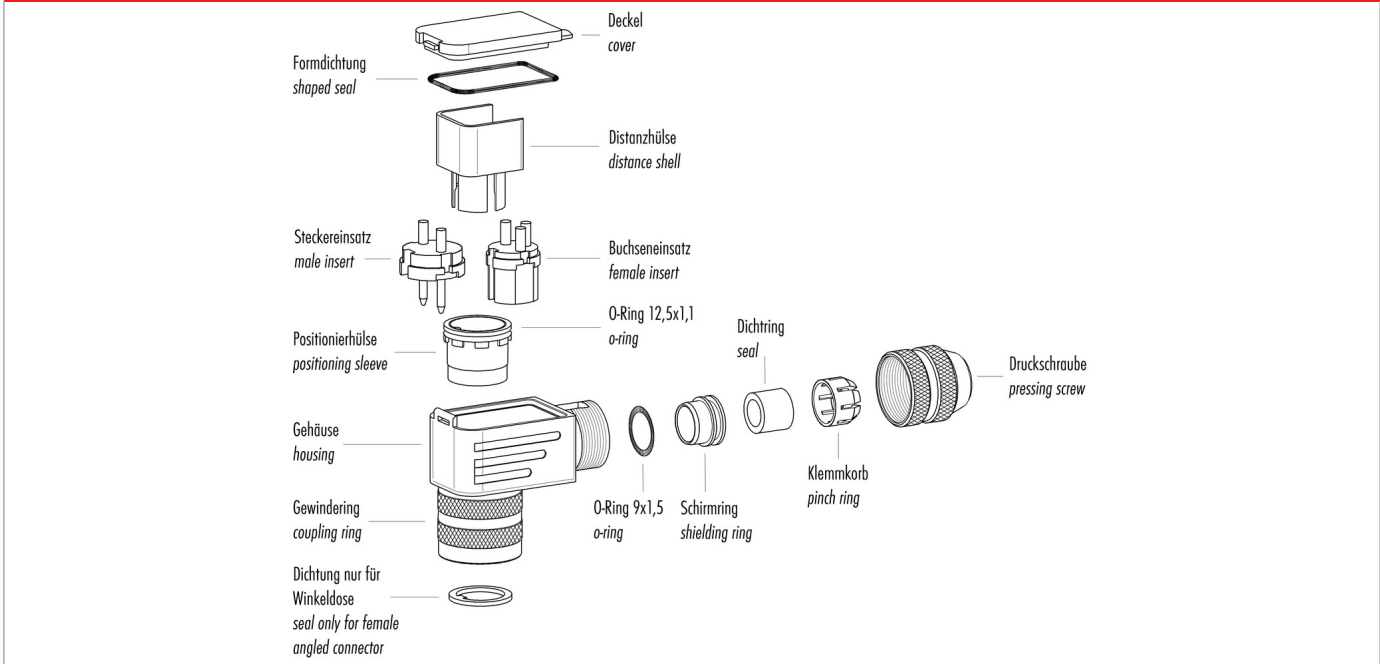
|                          |                            |
|--------------------------|----------------------------|
| Material of contact      | CuSn (Bronze)              |
| Contact plating          | Ag (Silver)                |
| Material of contact body | PBT (UL 94 V-0)            |
| Material of housing      | CuZn (Brass nickel-plated) |

Contacts: 4, Female angled connector, shieldable, cable outlet 6 - 8 mm, silver plated contacts, with UL approval



|         |  |                |                            |
|---------|--|----------------|----------------------------|
| Product | <b>Contacts: 4, Female angled connector, shieldable, cable outlet 6 - 8 mm, with UL approval</b> | Area           | <b>M16 IP67 Series 423</b> |
| Pole    | <b>4</b>   | Article number | <b>99 5610 75 04</b>       |

Item description



Installation instructions / Mounting cutout

**Winkelversion**

1. Dichtungen montieren (3x).
2. Kabelteile auffädeln.
3. Kabel und Schirm abmanteln.
4. Litzen durch das Gehäuse fädeln.
5. Schirmring, Klemmkorb montieren.
6. Druckschraube leicht andrehen.
7. Litzen an Kontakteinsatz löten.
8. Verdrehhülse in Winkelstellung montieren.
9. Kontakteinsatz, Distanzhülse einsetzen.
10. Deckel einhaken.
11. Druckschraube festziehen (ca. 10-20 Nm).

**Angled version**

1. Assemble sealing rings (3x).
2. Bead cable parts.
3. Dismantle cable and shielding braid.
4. Push single wires through housing.
5. Mount shielding ring and pinch ring.
6. Slightly fix pressing screw.
7. Solder wires to insert.
8. Mount positioning sleeve in angled position.
9. Put in insert and distance sleeve.
10. Mount lid.
11. Fix pressing screw (approx. 10-20 Nm).

