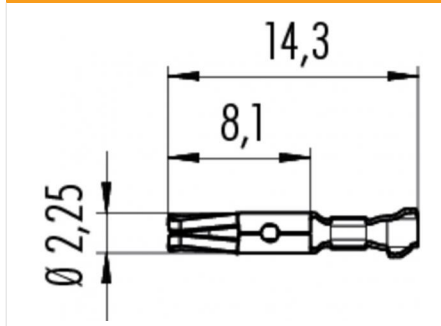


Product	Serie 423/723/425, 581/680/682 - Buchsenkontakt Band 2000 Stck: Kontakt-Ø 1,5 mm, Isolierungs-Ø 1,6 - 2,1 mm, Anschlussquerschnitt: 0,75 - 1,0 mm²; Bei Leiterquerschnitt 0,35 mm² (AWG 22): Crimpmaße (Richtwert): 0,93 - 1,1 mm, Crimppauszugskraft nach DIN
Article number	65 0798 085 02

Illustration



Scale drawing



Matching products

- Female panel mount connector with mass contact
- Male panel mount connector, solder
- Male panel mount connector, solder, screwed from front
- Male panel mount connector, dip-solder, screwed from front
- Flanschstecker, tauchlöten, von vorn verschraubbar, mit Schirmanbindung
- Male panel mount connector, crimp
- Male panel mount connector, crimp, screwed from front
- Male panel mount connector with flexible plate, screwed from front, silver plated contacts, Contacts: 7
- Flanschstecker mit Flexplatte, von vorn verschraubbar, versilberte Kontakte, Polzahl: 8
- Male panel mount connector with flexible plate, screwed from front, gold plated contacts, single row
- Male panel mount connector with flexible plate, screwed from front, gold plated contacts, double-row
- Female panel mount connector, solder, 2 - 8 contacts
- Female panel mount connector, solder, 12 - 19 contacts
- Female panel mount connector, solder, 24 contacts
- Female panel mount connector, solder, screwed from front, 2 - 8 contacts
- Female panel mount connector, solder, screwed from front, 12 - 19 contacts
- Female panel mount connector, solder, screwed from front, 24 contacts
- Female panel mount connector, dip-solder, screwed from front, 2 - 8 contacts
- Female panel mount connector, dip-solder, screwed from front, 12 - 19 contacts
- Female panel mount connector, dip-solder, screwed from front, 24 contacts
- Female panel mount connector, crimp
- Female panel mount connector, crimp, screwed from front
- Female panel mount connector with flexible plate, screwed from front, silver plated contacts, Contacts: 7
- Flanschdose mit Flexplatte, von vorn verschraubbar, versilberte Kontakte, Polzahl: 8
- Female panel mount connector with flexible plate, screwed from front, gold plated contacts, single row
- Female panel mount connector with flexible plate, screwed from front, gold plated contacts, double-row

- male cable connector
- female cable connector
- male panel mount connector
- female panel mount connector