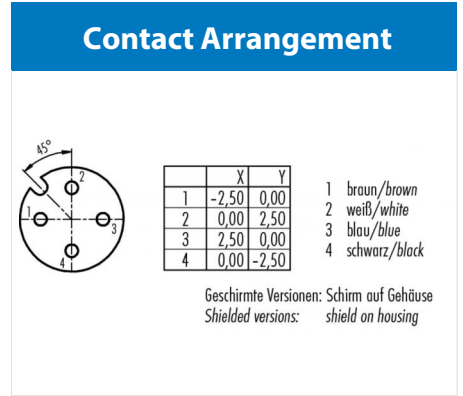
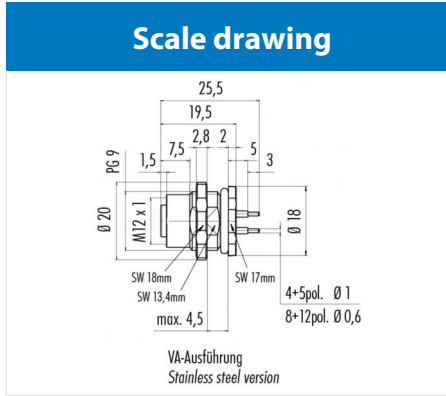


Product **Contacts: 4, Female panel mount connector, screwed from front, dip-solder, PG 9, 6 mm contact length**  
 Area **M12-A Series 713/763**  
 Article number **86 0532 1000 00004**



**You can find the assembly instruction on the next page.**

## Technical data

### General features

Connector Design female panel mount connector  
 Connector locking system bolted  
 Termination dip-solder  
 Upper temperature 85 °C  
 Lower temperature -40 °C

### Cable data

Approval 1 UL

### Electrical parameters

Rated voltage 250 V  
 Rated impulse voltage 2500 V  
 Pollution degree 3  
 Overvoltage category II  
 Material group II  
 Rated current (40°C) 4 A  
 Volume resistivity ≤ 3 mΩ  
 EMV compliance not shielded  
 Degree of protection IP68  
 Mechanical operation > 100 Mating cycles

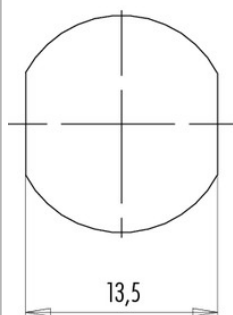
### Material

Material of contact CuSn (Bronze)  
 Contact plating Au (gold)  
 Material of contact body PA

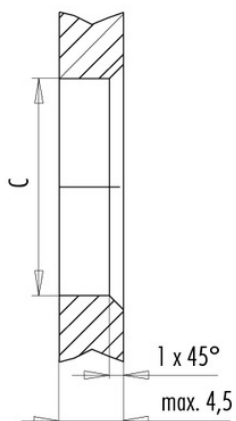
Product **Contacts: 4, Female panel mount connector, screwed from front, dip-solder, PG 9, 6 mm contact length**  
 Area **M12-A Series 713/763**  
 Article number **86 0532 1000 00004**

### Installation instructions / Mounting cutout

Mit Fläche als Verdrehschutz  
With flats as anti-rotation device



Mit Durchgangsbohrung  
With bore hole



	C
PG 9	15,3
M16x1,5	16,1

Anzugsdrehmoment/Tightening moment

Metallgehäuse/Metal housing 6,25 Nm  
 Kunststoffgehäuse/Plastic housing 3,75 Nm