

# Product sheet

## Subminiature connector

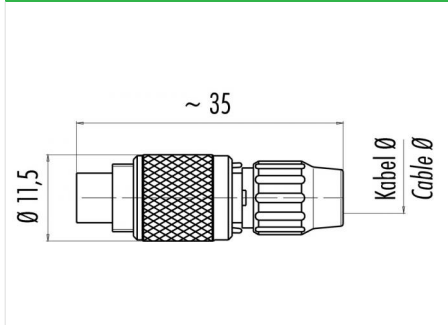


Product Pole	<b>Contacts: 7, Cable plug connector</b> 7	Area Article number	<b>M9 IP40 Series 711</b> 99 0475 102 07
--------------	---	---------------------	---

### Illustration



### Scale drawing



### Contact Arrangement

	X	Y
1	0,90	-1,65
2	1,85	-0,35
3	1,45	1,20
4	0,00	1,85
5	-1,45	1,20
6	-1,85	-0,35
7	-0,90	-1,65

You can find the item description on the next page.

## Technical data

### Common values

Connector Design	Cable plug connector
Connector locking system	screw
Termination	Solder
Wire gauge (mm)	0.14 mm <sup>2</sup>
Wire gauge (AWG)	26
Cable outlet	4 - 5 mm
Upper temperature	85 °C
Lower temperature	-40 °C

### Cable data

material housing	-
Insulation single lead	-
Single lead structure	-
Conductor resistance	-

### Electrical values

Rated voltage	125 V
Rated impulse voltage	1500 V
Pollution degree	1
Overvoltage category	II
Material group	III
Rated current (40°C)	1 A
Volume resistivity	≤ 3 mΩ
EMV compliance	not shieldable
Degree of protection	IP40
Mechanical operation	> 500 mating cycles

### Material

Material of contact	CuZn (Brass)
Contact plating	Au (Gold)
Material of contact body	PA (UL 94 V-0)
Material of housing	PA (UL 94 VH-B)

Contacts: 7, cable plug connector, cable outlet 4 - 5 mm

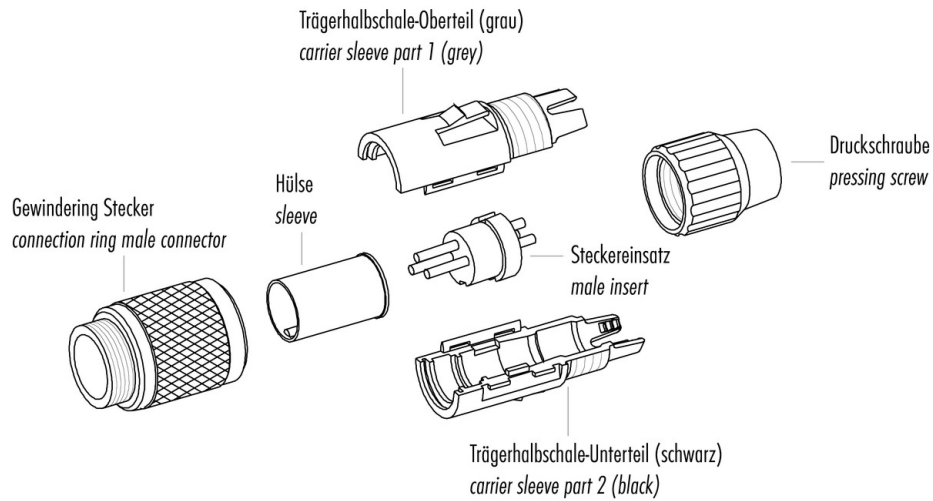
Product  
Pole

Contacts: 7, Cable plug connector  
7

Area  
Article number

M9 IP40 Series 711  
99 0475 102 07

### Item description



**Achtung:** max. Drehmoment des Gewindinges im Flanschsteckverbinder: 50cNm (handfest)

**Attention:** max. torque of ring nut in socket connector: 50cNm (manual adjustment)