

Product sheet

Miniature connector




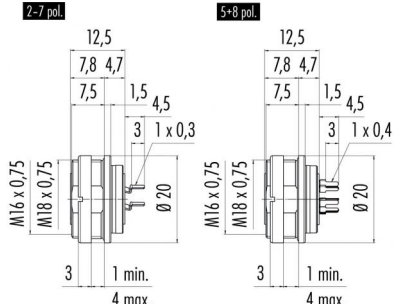
Product	Contacts: 7, Female panel mount connector, dip-solder, screwed from front, 2 - 8 contacts, with UL approval	Area	M16 IP67 Series 423/ 723/ 425
Pole	7	Article number	09 0128 99 07

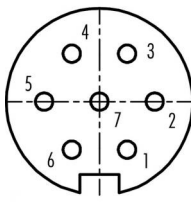
Illustration

Scale drawing

Contact Arrangement







	X	Y
1	1,75	-3,03
2	3,50	0,00
3	1,75	3,03
4	-1,75	3,03
5	-3,50	0,00
6	-1,75	-3,03
7	0,00	0,00

You can find the assembly instruction on the next page.

Technical data

Common values

Connector Design	Female panel mount connector
Connector locking system	screw
Termination	dip-solder
Wire gauge (mm)	-
Wire gauge (AWG)	-
Upper temperature	95 °C
Lower temperature	-40 °C

Electrical values

Rated voltage	125 V
Rated impulse voltage	800 V
Pollution degree	1
Overvoltage category	I
Material group	III
Rated current (40°C)	5 A
Volume resistivity	≤ 3 mΩ shielded
EMV compliance	IP67
Degree of protection	> 500 mating cycles
Mechanical operation	

Material

Material of contact	CuSn (Bronze)
Contact plating	Au (Gold)
Material of contact body	PBT (UL 94 V-0)
Material of housing	Nickel-plated zinc die casting

Contacts: 7, Female panel mount connector, dip-solder, screwed from front, 2 - 8 contacts, gold plated contacts, with UL approval

Product

Contacts: 7, Female panel mount connector, dip-solder, screwed from front, 2 - 8 contacts, with UL approval
7

Area
Article number

M16 IP67 Series 423/ 723/ 425
09 0128 99 07

Pole

Installation instructions / Mounting cutout

