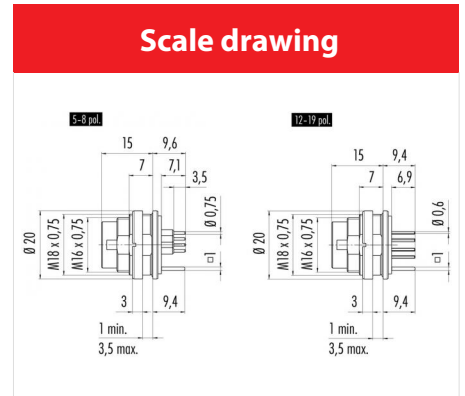
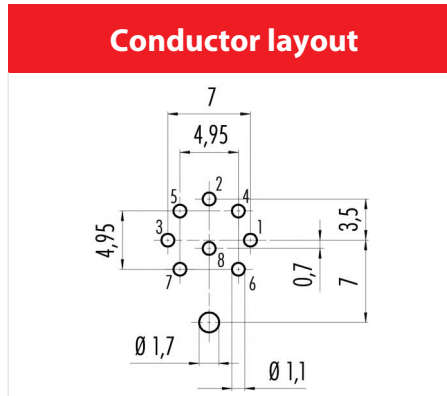


Product sheet

Miniature connector



Product	Polzahl: 8 DIN, Flanschstecker, tauchlöten, von vorn verschraubbar, mit Schirmanbindung	Area	M16 IP67 Series 423/ 723/ 425
Pole	8 DIN	Article number	09 0173 290 08



Technical data

Common values

Connector Design	Male panel mount connector
Connector locking system	screw
Wire gauge (mm)	-
Wire gauge (AWG)	-
Upper temperature	95 °C
Lower temperature	-40 °C

Electrical values

Rated voltage	60 V
Rated impulse voltage	500 V
Pollution degree	1
Overvoltage category	I
Material group	III
Rated current (40°C)	5 A
Volume resistivity	≤ 5 mΩ
Degree of protection	IP67
Mechanical operation	> 500 mating cycles

Material

Material of contact	CuZn (Brass)
Contact plating	Ag (Silver)
Material of contact body	PBT (UL 94 V-0)
Material of housing	Nickel-plated zinc die casting, nickel-plated brass

Polzahl: 8 DIN, Flanschstecker, tauchlöten, von vorn verschraubbar, versilberte Kontakte, mit Schirmanbindung