
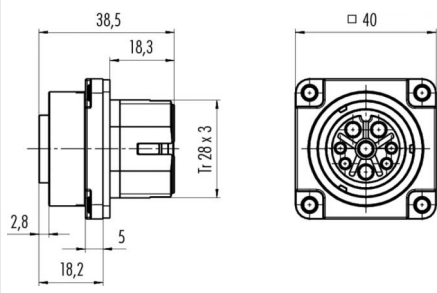
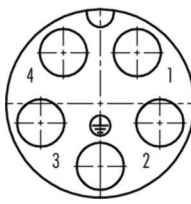


Product description	Bajonett HEC female panel mount connector, Contacts: 4+PE, Shielding is not possible, crimp (Crimp contacts must be ordered separately), IP68/IP69K
Area	Bajonett HEC series 696
Order number	09 6492 200 05

Illustration	Scale drawing	Contact arrangement																		
		 <table border="1" style="margin-left: 20px;"> <thead> <tr> <th></th> <th>X</th> <th>Y</th> </tr> </thead> <tbody> <tr> <td>1</td> <td>3,82</td> <td>5,26</td> </tr> <tr> <td>2</td> <td>6,18</td> <td>-2,01</td> </tr> <tr> <td>3</td> <td>-6,18</td> <td>-2,01</td> </tr> <tr> <td>4</td> <td>-3,82</td> <td>5,26</td> </tr> <tr> <td>PE</td> <td>0</td> <td>-6,50</td> </tr> </tbody> </table>		X	Y	1	3,82	5,26	2	6,18	-2,01	3	-6,18	-2,01	4	-3,82	5,26	PE	0	-6,50
	X	Y																		
1	3,82	5,26																		
2	6,18	-2,01																		
3	-6,18	-2,01																		
4	-3,82	5,26																		
PE	0	-6,50																		

You can find the component part drawing and assembly instructions on the next page.

Technical data

General values

Connector design	female panel mount connector
Connector locking system	Bayonet
Termination	crimp (Crimp contacts must be ordered separately)
Wire gauge (mm)	2.50 - 6.00 mm ²
Wire gauge (AWG)	14 - 10
Upper limit temperature	100 °C
Lower limit temperature	- 40 °C
Customs tariff number	85369010

Electrical values

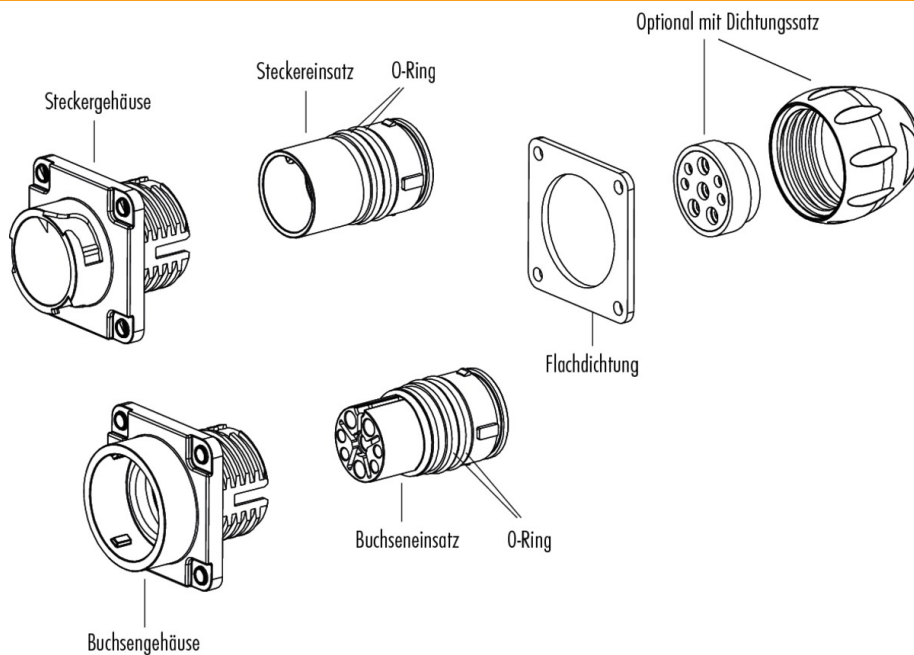
Rated current (40 °C)	32 A
Rated voltage	600 V
Rated impulse voltage	6000 V
Pollution degree	3
Overvoltage category	III
Insulating material group	I
Insulation resistance	> 10 ⁸ Ω
EMC compliance	Shielding is not possible
Degree of protection	IP68/IP69K
Mechanical operation	> 1000 Mating cycles

Material

Contact plating	depending on the crimp contact (accessory)
Contact body material	PA
Housing material	PA

Product description	Bajonett HEC female panel mount connector, Contacts: 4+PE, Shielding is not possible, crimp (Crimp contacts must be ordered separately), IP68/IP69K
Area	Bajonett HEC series 696
Order number	09 6492 200 05

Component part drawing



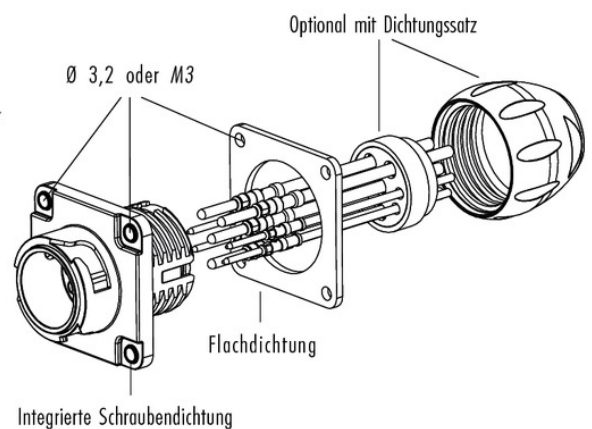
Assembly instructions / Panel cut-out

1. Einzellitzen auf 7mm abisolieren.
2. Kontakte ancrimpen. *
3. Angecrimpte Kontakte bis zum Einrasten in den Kontaktkörper eindrücken.
- 3.1. Optional bei Verwendung der Litzendichtung:
 Benötigte Kammern der Litzendichtung mit einem spitzen Gegenstand durchstoßen und über die Kontakte auffädeln. Kontakte in den Kontaktkörper eindrücken, die Litzendichtung flach an den Körper auflegen und anschließend mit der Druckschraube festschrauben.
4. Die Druckschraube über das Litzenbündel aufschieben und anschließend festschrauben.
 (empfohlenes Drehmoment 40cNm)

Lösen der Kontakte:

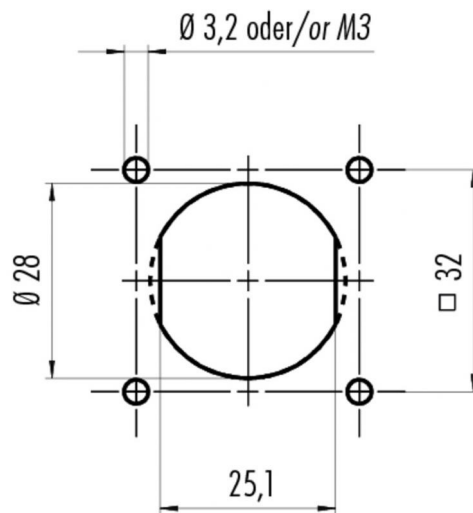
Da die Kontakte schwimmend gelagert sind, lässt sich das Lösewerkzeug mit leichten Pendelbewegungen bis auf Anschlag einführen. Danach zum Lösen den Ausdrückknopf betätigen.

* Crimpzange Bestell-Nr.		66 0003 001
Lösewerkzeug Kontakt	Ø 1,6mm	66 0004 001
	Ø 2,5mm	66 0011 001



Product description	Bajonett HEC female panel mount connector, Contacts: 4+PE, Shielding is not possible, crimp (Crimp contacts must be ordered separately), IP68/IP69K
Area	Bajonett HEC series 696
Order number	09 6492 200 05

Assembly instructions / Panel cut-out



Alternative mit Abflachung
Alternative with flats

Product description	Bajonett HEC female panel mount connector, Contacts: 4+PE, Shielding is not possible, crimp (Crimp contacts must be ordered separately), IP68/IP69K
Area	Bajonett HEC series 696
Order number	09 6492 200 05

Security notices

The connector must not be connected or separated under load. Non-observance and incorrect use can result in personal injury.

The connectors are designed for use in plant, control system and electrical equipment. The end user is responsible for checking whether the connectors are suitable for use in other applications.