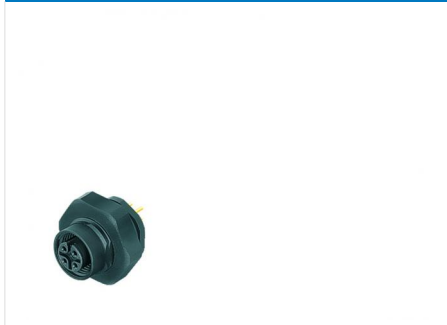
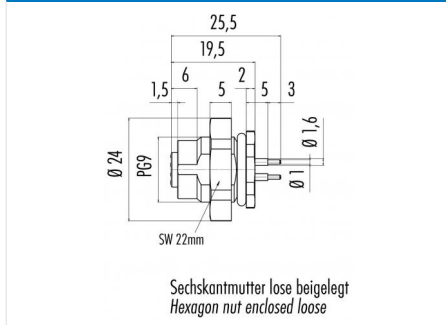


Product	<b>Contacts: 4, Female panel mount connector, plastic housing, screwed from front, dip-solder</b>	Area	<b>M12-A Series 713/763</b>
Pole	<b>4</b>	Article number	<b>09 0432 487 04</b>

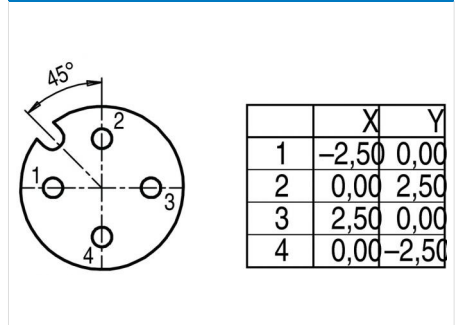
### Illustration



### Scale drawing



### Contact Arrangement



You can find the assembly instruction on the next page.

## Technical data

### Common values

Connector Design	Female panel mount connector
Connector locking system	screw
Termination	dip-solder
Wire gauge (mm)	0.25 mm <sup>2</sup>
Wire gauge (AWG)	24
Upper temperature	85 °C
Lower temperature	-40 °C

### Electrical values

Rated voltage	250 V
Rated impulse voltage	2500 V
Pollution degree	3
Overvoltage category	II
Material group	II
Rated current (40°C)	4 A
Volume resistivity	≤ 3 mΩ
EMV compliance	not shielded
Degree of protection	IP67
Mechanical operation	> 100 mating cycles

### Material

Material of contact	CuSn (Bronze)
Contact plating	Au (Gold)
Material of contact body	PA
Material of housing	PA

Contacts: 4, Female panel mount connector, plastic housing, screwed from front, dip-soldered, PG 9

Product

**Contacts: 4, Female panel mount connector, plastic housing, screwed from front, dip-solder**

Area  
Article number

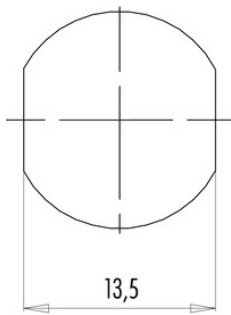
**M12-A Series 713/763**  
**09 0432 487 04**

Pole

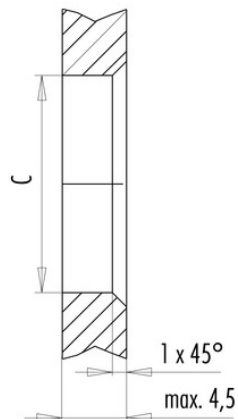
4

### Installation instructions / Mounting cutout

Mit Fläche als Verdrehschutz  
With flats as anti-rotation device



Mit Durchgangsbohrung  
With bore hole



	C
PG 9	15,3
M16x1,5	16,1

Anzugsdrehmoment/Tightening moment

Metallgehäuse/Metal housing 6,25 Nm  
Kunststoffgehäuse/Plastic housing 3,75 Nm