
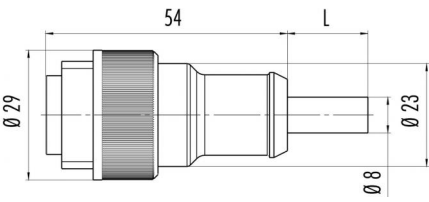
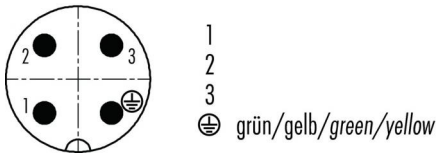


Product sheet

Output connector



Product	Contacts 3+PE, 4 x 1.5 PVC: cable plug connector injection-moulded cable	Area	RD24 Power Series 692/693
Pole	3+PE	Article number	79 0231 20 04

Illustration	Scale drawing	Contact Arrangement
		

You can find the item description on the next page.

Technical data

<h4 style="color: #f4a460;">Common values</h4> <table border="0"> <tr><td>Connector Design</td><td>Cable plug connector</td></tr> <tr><td>Connector locking system</td><td>screw</td></tr> <tr><td>Termination</td><td>Crimp</td></tr> <tr><td>Wire gauge (mm)</td><td>1.50 mm²</td></tr> <tr><td>Wire gauge (AWG)</td><td>16</td></tr> <tr><td>Cable outlet</td><td>-</td></tr> <tr><td>Upper temperature</td><td>80 °C</td></tr> <tr><td>Lower temperature</td><td>-25 °C</td></tr> </table>		Connector Design	Cable plug connector	Connector locking system	screw	Termination	Crimp	Wire gauge (mm)	1.50 mm ²	Wire gauge (AWG)	16	Cable outlet	-	Upper temperature	80 °C	Lower temperature	-25 °C	<h4 style="color: #f4a460;">Electrical values</h4> <table border="0"> <tr><td>Rated voltage</td><td>400 V</td></tr> <tr><td>Rated impulse voltage</td><td>6000 V</td></tr> <tr><td>Pollution degree</td><td>3</td></tr> <tr><td>Overvoltage category</td><td>III</td></tr> <tr><td>Material group</td><td>III</td></tr> <tr><td>Rated current (40°C)</td><td>16 A</td></tr> <tr><td>Volume resistivity</td><td>≤ 5 mΩ</td></tr> <tr><td>EMV compliance</td><td>not shielded</td></tr> <tr><td>Degree of protection</td><td>IP67</td></tr> <tr><td>Mechanical operation</td><td>> 500 mating cycles</td></tr> </table>		Rated voltage	400 V	Rated impulse voltage	6000 V	Pollution degree	3	Overvoltage category	III	Material group	III	Rated current (40°C)	16 A	Volume resistivity	≤ 5 mΩ	EMV compliance	not shielded	Degree of protection	IP67	Mechanical operation	> 500 mating cycles
Connector Design	Cable plug connector																																						
Connector locking system	screw																																						
Termination	Crimp																																						
Wire gauge (mm)	1.50 mm ²																																						
Wire gauge (AWG)	16																																						
Cable outlet	-																																						
Upper temperature	80 °C																																						
Lower temperature	-25 °C																																						
Rated voltage	400 V																																						
Rated impulse voltage	6000 V																																						
Pollution degree	3																																						
Overvoltage category	III																																						
Material group	III																																						
Rated current (40°C)	16 A																																						
Volume resistivity	≤ 5 mΩ																																						
EMV compliance	not shielded																																						
Degree of protection	IP67																																						
Mechanical operation	> 500 mating cycles																																						
<h4 style="color: #f4a460;">Cable data</h4> <table border="0"> <tr><td>material housing</td><td>PVC black</td></tr> <tr><td>Insulation single lead</td><td>PVC sw 1, sw 2, sw 3, green/yellow</td></tr> <tr><td>Single lead structure</td><td>28x0.25 mm</td></tr> <tr><td>Cable sheath Ø</td><td>8.6</td></tr> <tr><td>Conductor resistance</td><td>-</td></tr> <tr><td>Bending radius cable fixed</td><td>120 mm</td></tr> <tr><td>Bending radius cable movable</td><td>60 mm</td></tr> <tr><td>Approval</td><td>UL, CSA</td></tr> </table>		material housing	PVC black	Insulation single lead	PVC sw 1, sw 2, sw 3, green/yellow	Single lead structure	28x0.25 mm	Cable sheath Ø	8.6	Conductor resistance	-	Bending radius cable fixed	120 mm	Bending radius cable movable	60 mm	Approval	UL, CSA	<h4 style="color: #f4a460;">Material</h4> <table border="0"> <tr><td>Material of contact</td><td>CuZn (Brass)</td></tr> <tr><td>Contact plating</td><td>Ag (Silver)</td></tr> <tr><td>Material of contact body</td><td>PA 12</td></tr> <tr><td>Material of housing</td><td>PUR</td></tr> </table>		Material of contact	CuZn (Brass)	Contact plating	Ag (Silver)	Material of contact body	PA 12	Material of housing	PUR												
material housing	PVC black																																						
Insulation single lead	PVC sw 1, sw 2, sw 3, green/yellow																																						
Single lead structure	28x0.25 mm																																						
Cable sheath Ø	8.6																																						
Conductor resistance	-																																						
Bending radius cable fixed	120 mm																																						
Bending radius cable movable	60 mm																																						
Approval	UL, CSA																																						
Material of contact	CuZn (Brass)																																						
Contact plating	Ag (Silver)																																						
Material of contact body	PA 12																																						
Material of housing	PUR																																						

Contacts 3+PE, 4x1.5 PVC: cable plug connector injection-moulded cable, cable length 2 m

Product sheet

Output connector



Product	Contacts 3+PE, 4 x 1.5 PVC: cable plug connector injection-moulded cable	Area	RD24 Power Series 692/693
Pole	3+PE	Article number	79 0231 20 04

Item description

