

**Product sheet**  
**Miniature connector**

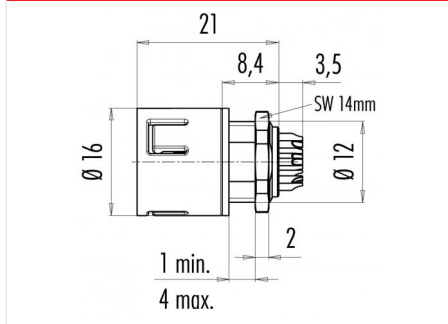


Product	<b>Contacts: 8, male panel mount connector, blue</b>	Area	<b>Snap-in IP67 Series 720</b>
Pole	<b>8</b>	Article number	<b>99 9127 60 08</b>

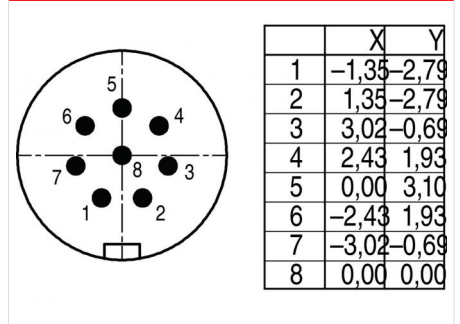
**Illustration**



**Scale drawing**



**Contact Arrangement**



You can find the item description and assembly instruction on the next page.

**Technical data**

**Common values**

Connector Design	Male panel mount connector
Connector locking system	Snap
Termination	Solder
Wire gauge (mm)	0.25 mm <sup>2</sup>
Wire gauge (AWG)	24
Cable outlet	-
Upper temperature	85 °C
Lower temperature	-25 °C

**Electrical values**

Rated voltage	125 V
Rated impulse voltage	1500 V
Pollution degree	2
Overvoltage category	II
Material group	II
Rated current (40°C)	2 A
Volume resistivity	≤ 3 mΩ
EMV compliance	not shielded
Degree of protection	IP67
Mechanical operation	> 500 mating cycles

**Material**

Material of contact	CuZn (Brass)
Contact plating	Au (Gold)
Material of contact body	PA (UL 94 V-0)
Material of housing	PA (UL 94 V-0)

Contacts: 8, male panel mount connector, blue

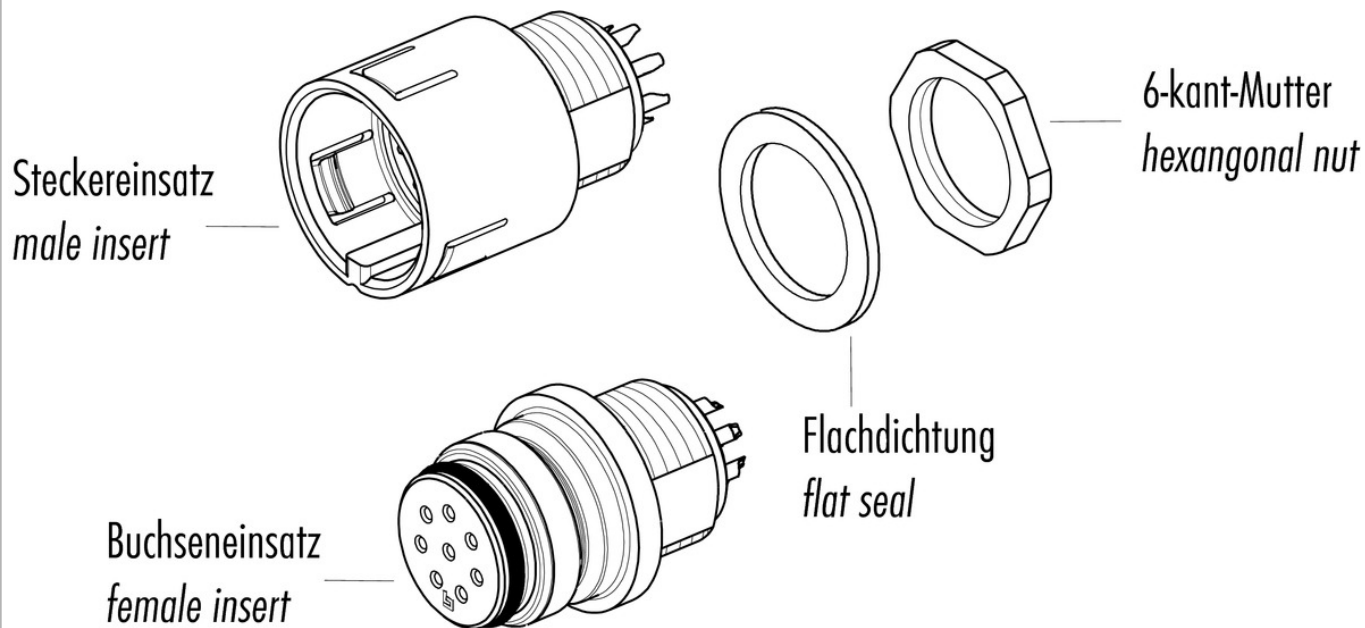
Product  
Pole

Contacts: 8, male panel mount connector,  
blue  
8

Area  
Article number

Snap-in IP67 Series 720  
99 9127 60 08

### Item description



### Installation instructions / Mounting cutout

