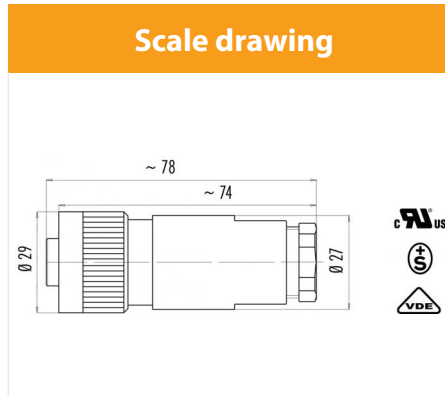


Product sheet

Output connector



Product	Contacts: 6+PE, female cable connector with pinch ring, PG 11 with VDE, ETS, UL approval	Area	RD24 Power Series 692/693
Pole	6+PE	Article number	99 4218 110 07



Contact Arrangement

	X	Y
1	3,25	-3,54
2	4,76	0,63
3	2,22	4,26
4	-2,22	4,26
5	-4,76	0,63
6	-3,25	-3,54
PE	0,00	0,50

You can find the item description on the next page.

Technical data

Common values

Connector Design	Female cable connector
Connector locking system	screw
Termination	Screwing
Wire gauge (mm)	0.34 -1.5 mm ²
Wire gauge (AWG)	22-16
Cable outlet	8 - 10 mm
Upper temperature	100 °C
Lower temperature	-40 °C

Electrical values

Rated voltage	250 V
Rated impulse voltage	4000 V
Pollution degree	3
Overvoltage category	III
Material group	III
Rated current (40°C)	10 A (8 A UL)
Volume resistivity	≤ 5 mΩ
EMV compliance	not shielded
Degree of protection	IP67
Mechanical operation	> 500 mating cycles

Material

Material of contact	CuSn (Bronze), CuZn (Brass)
Contact plating	Ag (Silver)
Material of contact body	PBT (UL 94 V-0)
Material of housing	PBT (UL 94 V-0)

Contacts: 6+PE, female cable connector with pinch ring, PG 11, with VDE, ETS, UL approval, screw



Product	Contacts: 6+PE, female cable connector with pinch ring, PG 11 with VDE, ETS, UL approval	Area	RD24 Power Series 692/693
Pole	6+PE	Article number	99 4218 110 07

Item description

