

Product **Contacts: 8, Female panel mount connector, plastic housing, screwed from front, dip-soldered, PG 9**

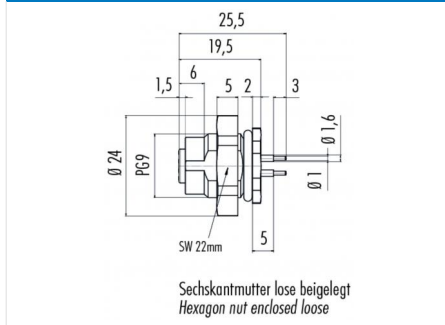
Area **M12-A Series 713/763**

Article number **86 4832 3000 00008**

Illustration



Scale drawing



Contact Arrangement

	X	Y
1	-2,69	0,57
2	-0,57	2,69
3	1,66	2,20
4	2,75	0,19
5	1,94	-1,94
6	-0,19	-2,75
7	-2,20	-1,66
8	0,00	0,00

1 weiß/white
2 braun/brown
3 grün/green
4 gelb/yellow
5 grau/grey
6 rosa/pink
7 blau/blue
8 rot/red

Geschirmte Versionen: Schirm auf Gehäuse oder Pin 8
Shielded versions: shield on housing or pin 8

You can find the assembly instruction on the next page.

Technical data

General features

Connector Design female panel mount connector
 Connector locking system bolted
 Termination dip-solder
 Wire gauge (mm) 0,25 mm²
 Wire gauge (AWG) 24
 Upper temperature 85 °C
 Lower temperature -40 °C

Electrical parameters

Rated voltage 30 V
 Rated impulse voltage 800 V
 Pollution degree 3
 Overvoltage category II
 Material group II
 Rated current (40°C) 1,5A (UL 2A)
 Volume resistivity ≤ 3 mΩ
 EMV compliance not shielded
 Degree of protection IP67
 Mechanical operation > 100 Mating cycles

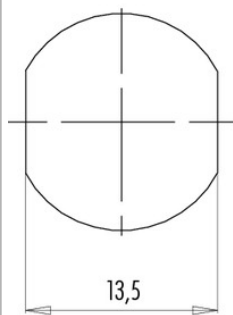
Material

Material of contact CuSn (Bronze)
 Contact plating Au (gold)
 Material of contact body PA

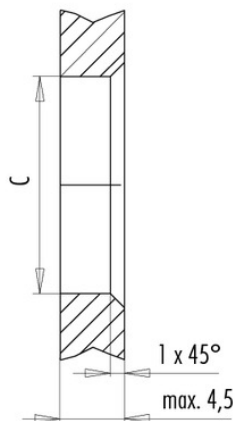
Product **Contacts: 8, Female panel mount connector, plastic housing, screwed from front, dip-soldered, PG 9**
 Area **M12-A Series 713/763**
 Article number **86 4832 3000 00008**

Installation instructions / Mounting cutout

Mit Fläche als Verdrehschutz
With flats as anti-rotation device



Mit Durchgangsbohrung
With bore hole



	C
PG 9	15,3
M16x1,5	16,1

Anzugsdrehmoment/Tightening moment

Metallgehäuse/Metal housing 6,25 Nm
 Kunststoffgehäuse/Plastic housing 3,75 Nm