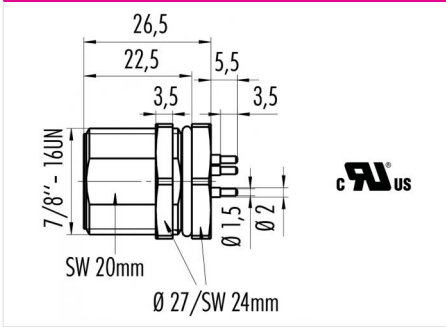


Product	<b>Contacts: 4, Male panel mount connector, screwed from front, dip-solder contacts, with UL approval</b>	Area	<b>7/8" Series 820/870</b>
Pole	<b>4</b>	Article number	<b>09 2449 180 04</b>

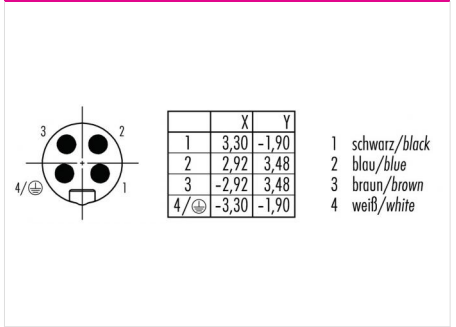
**Illustration**



**Scale drawing**



**Contact Arrangement**



You can find the assembly instruction on the next page.

**Technical data**

**Common values**

Connector Design	Male panel mount connector
Connector locking system	Screws 7/8" - 16 UN
Termination	tauchlöten
Wire gauge (mm)	-
Wire gauge (AWG)	-
Cable outlet	-
Upper temperature	85 °C
Lower temperature	-25 °C

**Electrical values**

Rated voltage	600 V
Rated impulse voltage	2500 V
Pollution degree	3
Overvoltage category	III
Material group	III
Rated current (40°C)	8 A
Volume resistivity	≤ 5 mΩ
Degree of protection	IP67
Mechanical operation	> 100 mating cycles

**Cable data**

material housing	-
Insulation single lead	-
Single lead structure	-
Conductor resistance	-
Bending radius cable fixed	-
Bending radius cable movable	-
Approval	UL

**Material**

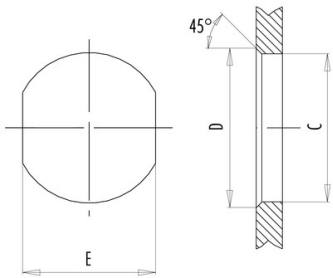
Material of contact	CuZn (Brass)
Contact plating	Au (Gold)
Material of contact body	PUR (UL 94 HB)
Material of housing	Nickel-plated zinc die casting, nickel-plated brass

Contacts: 4, Male panel mount connector, screwed from front, dip-solder contact, with UL approval

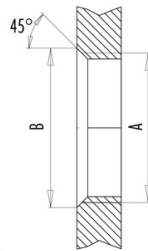
Product	<b>Contacts: 4, Male panel mount connector, screwed from front, dip-solder contacts, with UL approval</b>	Area	<b>7/8" Series 820/870</b>
Pole	<b>4</b>	Article number	<b>09 2449 180 04</b>

**Installation instructions / Mounting cutout**

Mit Durchgangsbohrung/With bore hole



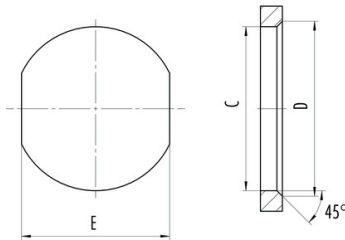
Mit Gewinde, einschraubbar/With thread to screw in



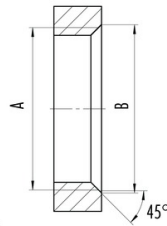
	A	B	C	D	E
PG11	PG11	20,2	18,7	20,2	17,0
PG13,5	PG13,5	22,0	20,5	22,0	18,8
M20x1,5	M20x1,5	21,6	20,1	21,6	17,8

alternativ/alternativ

Mit Durchgangsbohrung/With bore hole von vorn verschraubbar/front fastened



Mit Gewinde, einschraubbar/With thread to screw in



A	B	C	D	E
7/8-16UN-20	23	22,4	23,9	20,2
M26x1,5	27,3	26,2	27,7	24,2

alternativ/alternativ