

Product sheet

Output connector

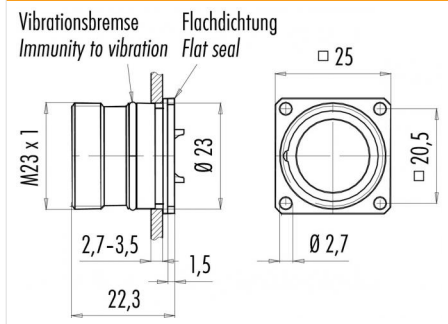


| | | | |
|---------|--|----------------|-----------------------------|
| Product | Polzahl: 9, Flanschdose, Rückwandmontage linksdrehend | Area | M23 Power Series 623 |
| Pole | 9 | Article number | 99 4604 81 09 |

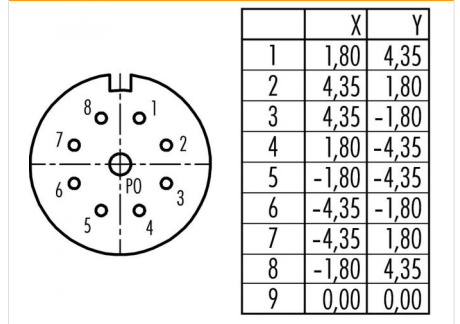
Illustration



Scale drawing



Contact Arrangement



Technical data

Common values

| | |
|--------------------------|------------------------------|
| Connector Design | Female panel mount connector |
| Connector locking system | screw |
| Termination | Solder |
| Wire gauge (mm) | 8x1.5/ 1x2.5 mm ² |
| Wire gauge (AWG) | 8x16/ 1x14 |
| Cable outlet | - |
| Upper temperature | 125 °C |
| Lower temperature | -20 °C |

Electrical values

| | |
|-----------------------|--------------------|
| Rated voltage | 300 V |
| Rated impulse voltage | 2500 V |
| Pollution degree | 3 |
| Overvoltage category | II |
| Material group | III |
| Rated current (40°C) | 8x8A/ 1x20A |
| Volume resistivity | ≤ 3 mΩ |
| EMV compliance | not shielded |
| Degree of protection | IP67 |
| Mechanical operation | > 50 mating cycles |

Material

| | |
|--------------------------|--------------------------------|
| Material of contact | CuSn (Bronze) |
| Contact plating | Au (Gold) |
| Material of contact body | PBT/PA66 |
| Material of housing | Nickel-plated zinc die casting |

Contacts: 9, Female panel mount connector, back-panel mount, left-turning