

Product sheet

Miniature connector



Product

**Contacts: 2, female angled connector,
cable outlet 6 - 8 mm**
2

Area

Article number

M16 IP67 Series 723

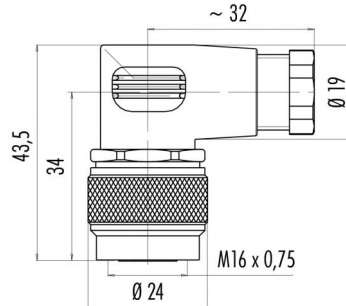
99 0102 77 02

Pole

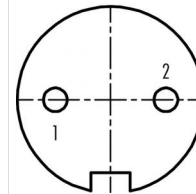
Illustration



Scale drawing



Contact Arrangement



	X	Y
1	-3,50	0,00
2	3,50	0,00

You can find the item description on the next page.

Technical data

Common values

Connector Design	Female angled connector
Connector locking system	screw
Termination	Solder
Wire gauge (mm)	0.75 mm ²
Wire gauge (AWG)	20
Cable outlet	6 - 8 mm
Upper temperature	95 °C
Lower temperature	-40 °C

Electrical values

Rated voltage	250 V
Rated impulse voltage	1500 V
Pollution degree	1
Overvoltage category	I
Material group	III
Rated current (40°C)	7 A
Volume resistivity	≤ 3 mΩ
EMV compliance	not shielded
Degree of protection	IP67
Mechanical operation	> 500 mating cycles

Material

Material of contact	CuSn (Bronze)
Contact plating	Au (Gold)
Material of contact body	PBT (UL 94 V-0)
Material of housing	PA (UL 94 HB)

Contacts: 2, Female angled connector, cable outlet 6 - 8 mm, gold plated contacts

Product

**Contacts: 2, female angled connector,
cable outlet 6 - 8 mm**
2

Area
Article number

M16 IP67 Series 723
99 0102 77 02

Pole

Item description

