

# Product sheet

## Miniature connector

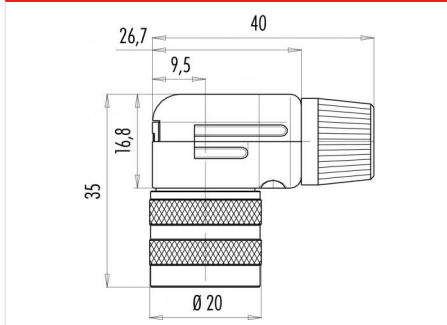


|         |   |                |                            |
|---------|---|----------------|----------------------------|
| Product | <b>Contacts: 2, Female angled connector, cable outlet 6 - 8 mm, metal model, shieldable</b> | Area           | <b>M16 IP40 Series 682</b> |
| Pole    | <b>2</b>  | Article number | <b>99 0134 12 02</b>       |

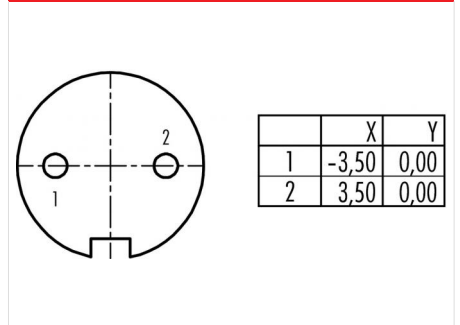
### Illustration



### Scale drawing



### Contact Arrangement



You can find the item description on the next page.

## Technical data

### Common values

|                          |                         |
|--------------------------|-------------------------|
| Connector Design         | Female angled connector |
| Connector locking system | screw                   |
| Termination              | Solder                  |
| Wire gauge (mm)          | 0.75 mm <sup>2</sup>    |
| Wire gauge (AWG)         | 20                      |
| Cable outlet             | 6 - 7.8 mm              |
| Upper temperature        | 85 °C                   |
| Lower temperature        | -40 °C                  |

### Electrical values

|                       |                     |
|-----------------------|---------------------|
| Rated voltage         | 250 V               |
| Rated impulse voltage | 1500 V              |
| Pollution degree      | 1                   |
| Overvoltage category  | I                   |
| Material group        | III                 |
| Rated current (40°C)  | 7 A                 |
| Volume resistivity    | ≤ 5 mΩ              |
| EMV compliance        | shielded            |
| Degree of protection  | IP40                |
| Mechanical operation  | > 500 mating cycles |

### Material

|                          |                 |
|--------------------------|-----------------|
| Material of contact      | CuSn (Bronze)   |
| Contact plating          | Ag (Silver)     |
| Material of contact body | PBT (UL 94 V-0) |
| Material of housing      | PA (UL 94 HB)   |

Contacts: 2, Female angled connector, cable outlet 6 - 8 mm, metal model, shieldable, silver plated contacts

**Product sheet**  
**Miniature connector**



|         |   |                |                            |
|---------|---|----------------|----------------------------|
| Product | <b>Contacts: 2, Female angled connector, cable outlet 6 - 8 mm, metal model, shieldable</b> | Area           | <b>M16 IP40 Series 682</b> |
| Pole    | <b>2</b>  | Article number | <b>99 0134 12 02</b>       |

**Item description**

