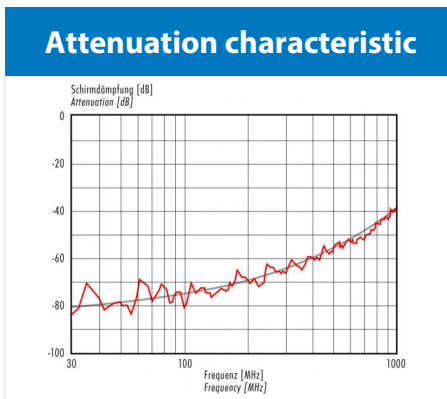
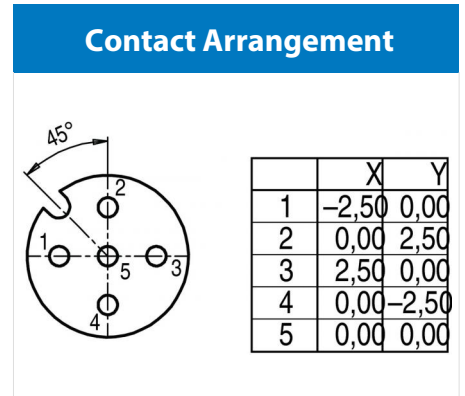
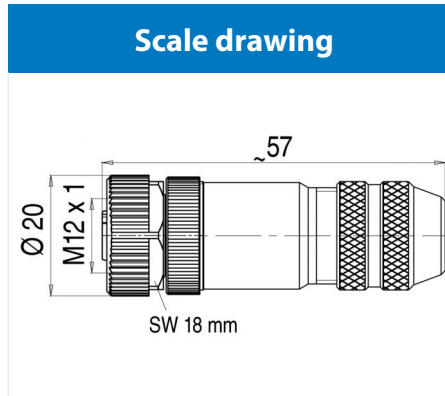


Product	<b>Contacts 5: Female cable connector, shieldable, wire clamp connection, static ring version</b>	Area	<b>M12-A Series 713</b>
Pole	<b>5</b>	Article number	<b>99 1538 812 05</b>



You can find the item description and assembly instruction on the next page.

## Technical data

### Common values

Connector Design	Female cable connector
Connector locking system	screw
Termination	Wire tension spring
Wire gauge (mm)	0.50 mm <sup>2</sup>
Wire gauge (AWG)	20
Cable outlet	6 - 8 mm
Upper temperature	85 °C
Lower temperature	-40 °C

### Electrical values

Rated voltage	125 V
Rated impulse voltage	1500 V
Pollution degree	3
Overvoltage category	II
Material group	III
Rated current (40°C)	4 A
Volume resistivity	≤ 3 mΩ
EMV compliance	shielded
Degree of protection	IP67
Mechanical operation	> 100 mating cycles

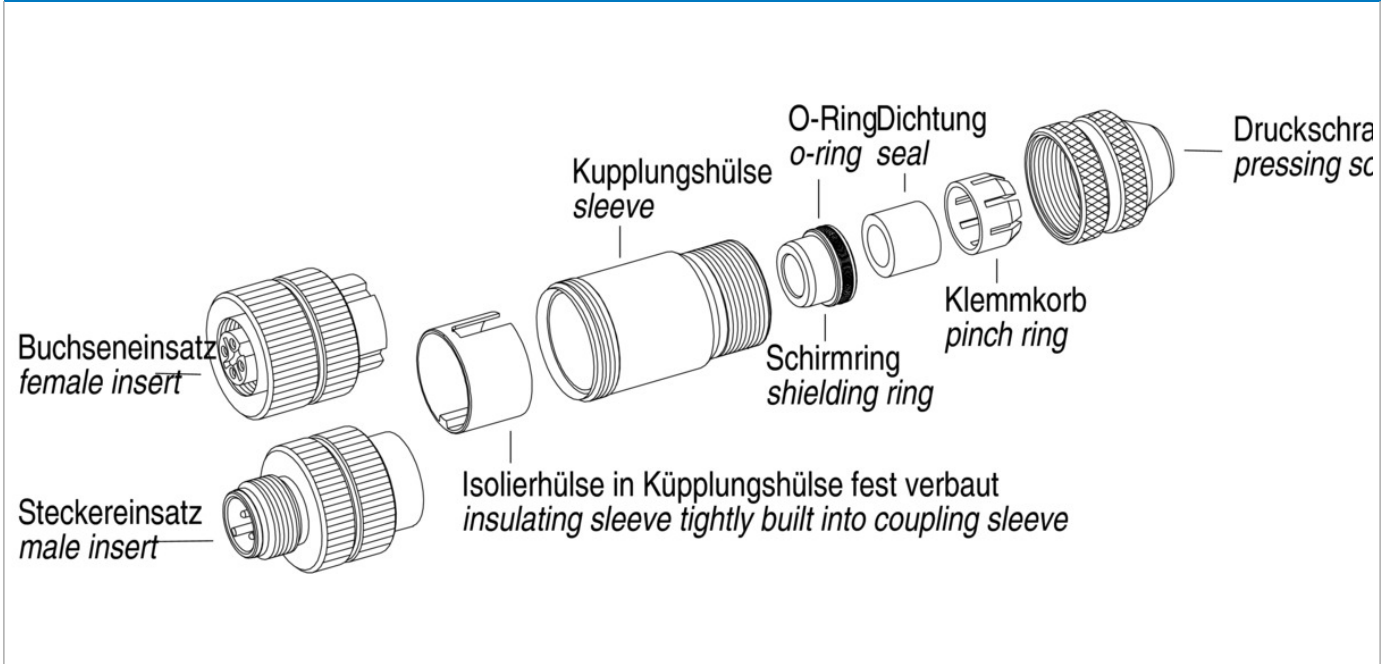
### Material

Material of contact	CuSn (Bronze)
Contact plating	Au (Gold)
Material of contact body	PA
Material of housing	Nickel-plated zinc die casting, PA

Contacts 5: cable outlet: 6-8 mm, female cable connector, shieldable, wire clamp connection, static ring version, with die-cast threaded ring

Product	<b>Contacts 5: Female cable connector, shieldable, wire clamp connection, static ring version</b>	Area	<b>M12-A Series 713</b>
Pole	<b>5</b>	Article number	<b>99 1538 812 05</b>

### Item description



### Installation instructions / Mounting cutout

35 abmanteln dismantle strip  
A abisolieren strip  
6

Schirm kürzen und auf Schirmring umschlagen shorten shield and revert to shielding ring

Öffnungswerkzeug für Käfigzugfederversion opening tool for wire clamp connection

	Schraubklemmversion screw connection	Lötversion solder version	Käfigzugfederversion wire clamp connection
Maß A/mm measure A/mm	<b>5</b>	<b>3,5</b>	<b>7</b>