

Product	Contacts: 3, Female panel mount connector with single wires, 0.25mm², with UL approval	Area	M8 Series 768/718
Pole	3	Article number	09 3412 00 03

Illustration	Scale drawing	Contact Arrangement
		<p> 1 braun/brown 3 blau/blue 4 schwarz/blac </p>

You can find the assembly instruction on the next page.

Technical data

Common values

Connector Design	Female panel mount connector
Connector locking system	screw
Termination	Single wires 0.25
Wire gauge (mm)	0.25 mm ²
Wire gauge (AWG)	24
Upper temperature	85 °C
Lower temperature	-40 °C

Electrical values

Rated voltage	60 V
Rated impulse voltage	800 V
Pollution degree	3
Overvoltage category	II
Material group	II
Rated current (40°C)	4 A
Volume resistivity	≤ 3 mΩ
EMV compliance	not shielded
Degree of protection	IP67
Mechanical operation	> 100 mating cycles

Material

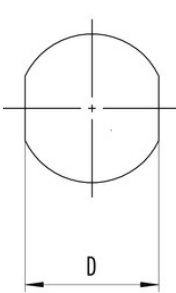
Material of contact	CuSn (Bronze)
Contact plating	Au (Gold)
Material of contact body	PA
Material of housing	CuZn (Brass nickel-plated)

Contacts: 3, Female panel mount connector with single wires, 0.25mm², with UL approval

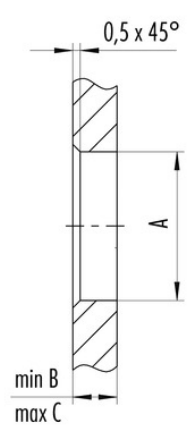
Product	Contacts: 3, Female panel mount connector with single wires, 0.25mm², with UL approval	Area	M8 Series 768/718
Pole	3	Article number	09 3412 00 03

Installation instructions / Mounting cutout

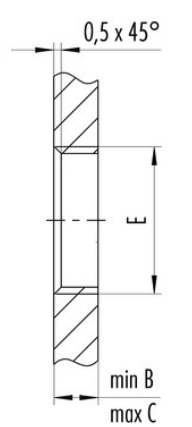
Mit Fläche als Verdrehschutz
With flats as anti-rotation device



Mit Durchgangsbohrung
With bore hole



Mit Gewinde, einschraubbar
With thread to screw in



Gewinde E/thread E	A	B	C	D
M8 x 0,5	8,1	2,5	4,5	7,1
M10 x 0,75	10,1	2,5	5,0	9,1

Anzugsdrehmoment/Tightening moment 1 Nm