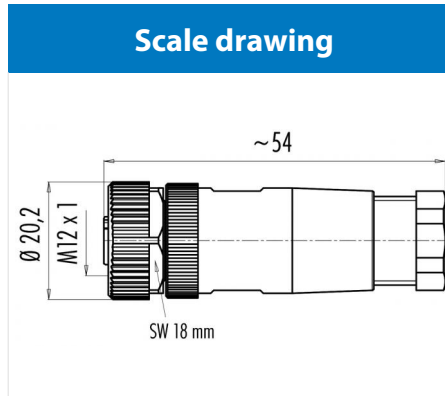


Product	<b>Contacts: 12, Female cable connector, metal lock, solder connection, with offset soldering surfaces, with UL approval</b>	Area	<b>M12-A Series 713</b>
Pole	<b>12</b>	Article number	<b>99 0492 12 12</b>



**Contact Arrangement**

	X	Y
1	-2,80	0,78
2	-0,78	2,80
3	1,09	2,69
4	2,51	1,46
5	2,88	-0,37
6	2,05	-2,05
7	0,37	-2,88
8	-1,46	-2,51
9	-2,69	-1,09
10	-0,78	0,78
11	1,06	0,29
12	-0,29	-1,06

You can find the item description and assembly instruction on the next page.

## Technical data

### Common values

Connector Design	Female cable connector
Connector locking system	screw
Termination	Solder
Wire gauge (mm)	0.25 mm <sup>2</sup>
Wire gauge (AWG)	24
Cable outlet	6 - 8 mm
Upper temperature	85 °C
Lower temperature	-40 °C

### Electrical values

Rated voltage	30 V
Rated impulse voltage	500 V
Pollution degree	3
Overvoltage category	II
Material group	II
Rated current (40°C)	1 A
Volume resistivity	≤ 3 mΩ
EMV compliance	-
Degree of protection	IP67
Mechanical operation	> 50 mating cycles

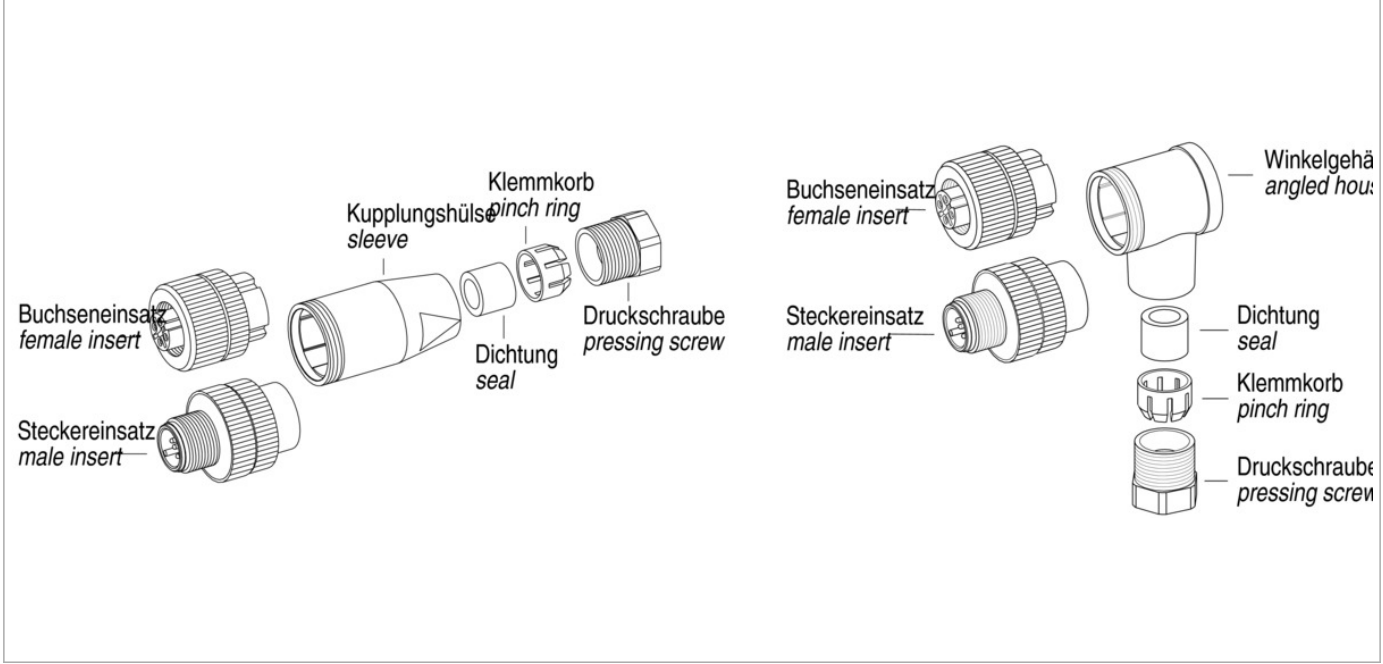
### Material

Material of contact	CuSn (Bronze)
Contact plating	Au (Gold)
Material of contact body	PA
Material of housing	PA

Contacts: 12, Cable outlet: 6-8 mm, female cable connector, metal lock, solder connection, with offset soldering surfaces

Product	<b>Contacts: 12, Female cable connector, metal lock, solder connection, with offset soldering surfaces, with UL approval</b>	Area	<b>M12-A Series 713</b>
Pole	<b>12</b>	Article number	<b>99 0492 12 12</b>

**Item description**



**Installation instructions / Mounting cutout**

