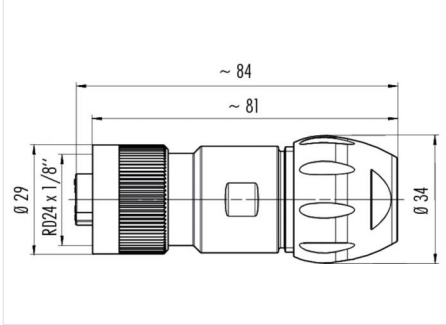


Product	contacts 6+PE: female cable connector, cable outlet 7-17mm, screw clamp
Area	RD24 Power Series 692/693
Article number	99 4218 300 07

Illustration



Scale drawing



Technical data

General features

Connector Design	Cable socket
Connector locking system	bolted
Termination	removable screw
Wire gauge (mm)	0,34-1,5 mm ²
Wire gauge (AWG)	22-16
Cable outlet	7 - 17mm
Upper temperature	100 °C
Lower temperature	-40 °C

Electrical parameters

Rated voltage	250 V
Rated impulse voltage	4000 V
Pollution degree	3
Overvoltage category	III
Material group	III
Rated current (40°C)	10 A
Volume resistivity	≤ 5 mΩ
EMV compliance	not shielded
Degree of protection	IP67
Mechanical operation	> 50 Mating cycles

Material

Material of contact	CuSn (Bronze)
Contact plating	Ag (silver)
Material of contact body	PBT