

Product sheet
Miniature connector

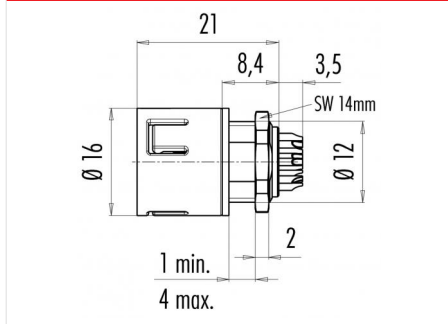


Product	Contacts: 3, Male panel mount connector, black	Area	Snap-in IP67 Series 720
Pole	3	Article number	99 9107 00 03

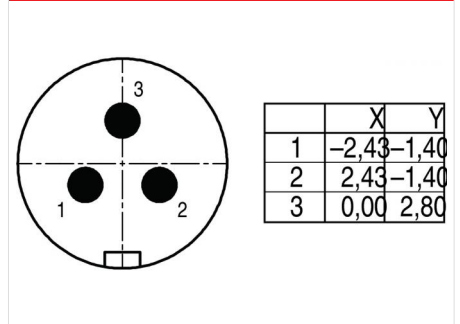
Illustration



Scale drawing



Contact Arrangement



You can find the item description and assembly instruction on the next page.

Technical data

Common values

Connector Design	Male panel mount connector
Connector locking system	Snap
Termination	Solder
Wire gauge (mm)	0.75 mm ²
Wire gauge (AWG)	20
Cable outlet	-
Upper temperature	85 °C
Lower temperature	-25 °C

Electrical values

Rated voltage	250 V
Rated impulse voltage	2500 V
Pollution degree	2
Overvoltage category	II
Material group	II
Rated current (40°C)	7 A
Volume resistivity	≤ 3 mΩ
EMV compliance	not shielded
Degree of protection	IP67
Mechanical operation	> 500 mating cycles

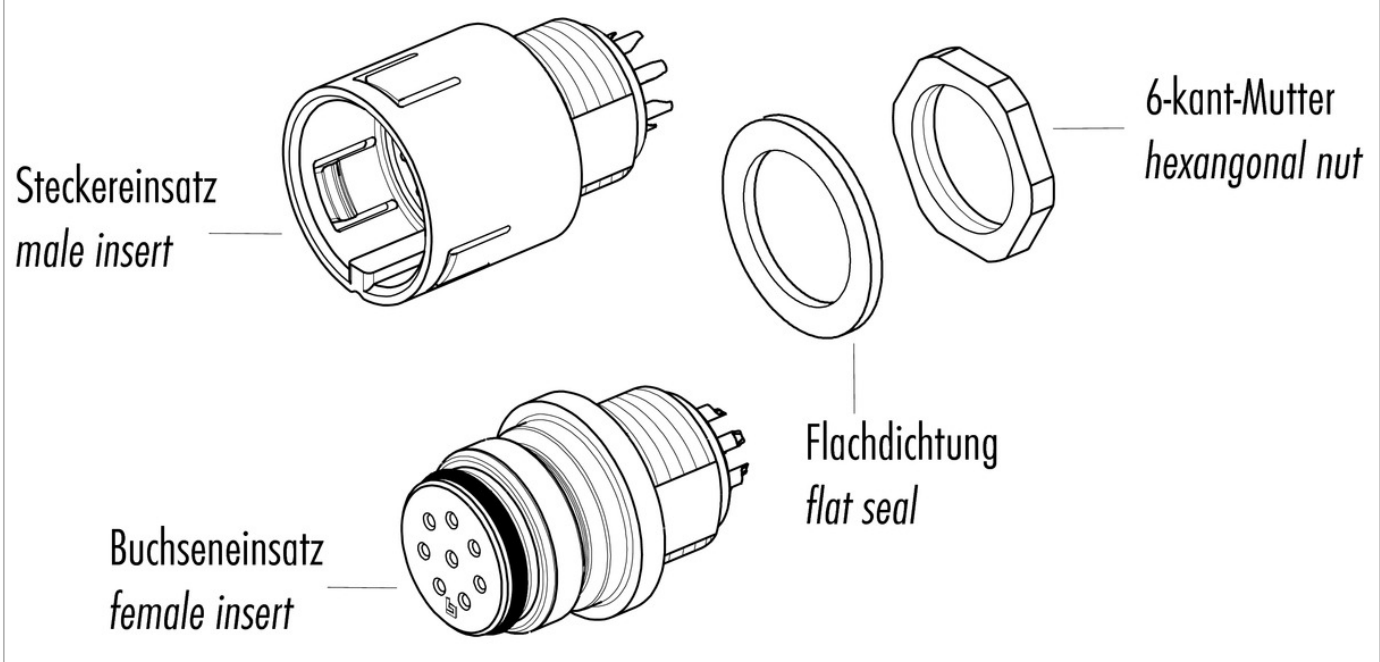
Material

Material of contact	CuZn (Brass)
Contact plating	Au (Gold)
Material of contact body	PA (UL 94 V-0)
Material of housing	PA (UL 94 V-0)

Contacts: 3, Male panel mount connector, black

Product	Contacts: 3, Male panel mount connector, black	Area	Snap-in IP67 Series 720
Pole	3	Article number	99 9107 00 03

Item description



Installation instructions / Mounting cutout

