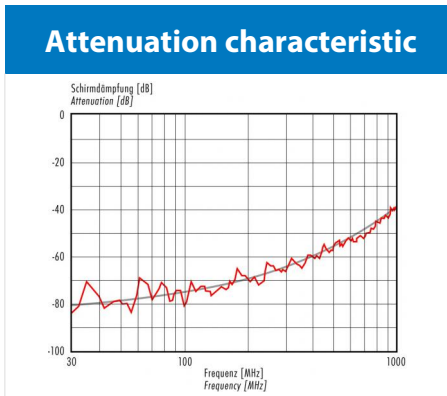
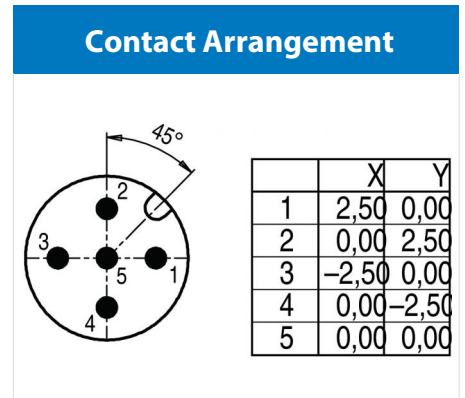
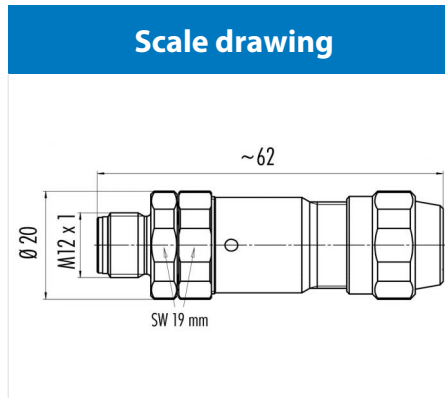


Product	Contacts 5: Cable plug connector, shieldable, screw terminal connection, static ring version, stainless steel model, with UL approval	Area Article number	M12-A Series 713 99 1437 992 05
Pole	5		



You can find the assembly instruction on the next page.

Technical data

Common values

Connector Design	Cable plug connector
Connector locking system	screw
Termination	Screwing
Wire gauge (mm)	0.75 mm ²
Wire gauge (AWG)	18
Cable outlet	6 - 8 mm
Upper temperature	85 °C
Lower temperature	-40 °C

Electrical values

Rated voltage	125 V
Rated impulse voltage	1500 V
Pollution degree	3
Overvoltage category	II
Material group	II
Rated current (40°C)	4 A
Volume resistivity	≤ 3 mΩ
EMV compliance	geschirmt
Degree of protection	IP67
Mechanical operation	> 100 mating cycles

Material

Material of contact	CuZn (Brass)
Contact plating	Au (Gold)
Material of contact body	PA
Material of housing	Stainless steel 1.4404

Contacts 5: Cable outlet 5.5 - 8.6 mm, cable plug connector, shieldable, screw terminal connection, static ring version, stainless steel model, with UL approval

Product

Contacts 5: Cable plug connector, shieldable, screw terminal connection, static ring version, stainless steel model, with UL approval

Area
Article number

**M12-A Series 713
99 1437 992 05**

Pole

5

Installation instructions / Mounting cutout

