

**Product sheet**  
**Miniature connector**

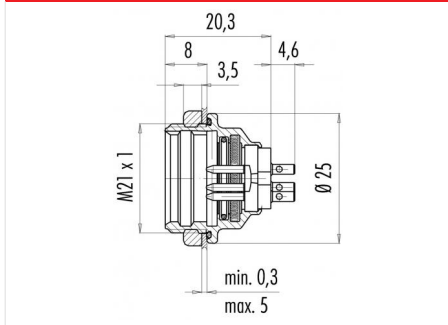


Product	<b>Contacts: 6 DIN, Male panel mount connector, screwed from front, shielded, IP 67</b>	Area	<b>Push-Pull IP67 Series 440</b>
Pole	<b>6</b>	Article number	<b>09 4819 81 06</b>

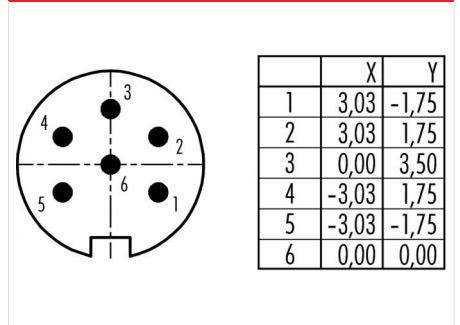
**Illustration**



**Scale drawing**



**Contact Arrangement**



**You can find the item description and assembly instruction on the next page.**

**Technical data**

**Common values**

Connector Design	Male panel mount connector
Connector locking system	Push-Pull
Termination	Solder
Wire gauge (mm)	0.75 mm <sup>2</sup>
Wire gauge (AWG)	20
Cable outlet	-
Upper temperature	85 °C
Lower temperature	-40 °C

**Electrical values**

Rated voltage	125 V
Rated impulse voltage	800 V
Pollution degree	1
Overvoltage category	I
Material group	III
Rated current (40°C)	5 A
Volume resistivity	≤ 3 mΩ
EMV compliance	shielded
Degree of protection	IP67
Mechanical operation	> 1000 mating cycles

**Material**

Material of contact	CuZn (Brass)
Contact plating	Au (Gold)
Material of contact body	PBT (UL 94 V-0)
Material of housing	CuZn (Brass nickel-plated)

**Contacts: 6 DIN, Male panel mount connector, screwed from front, shielded, IP 67**

Product

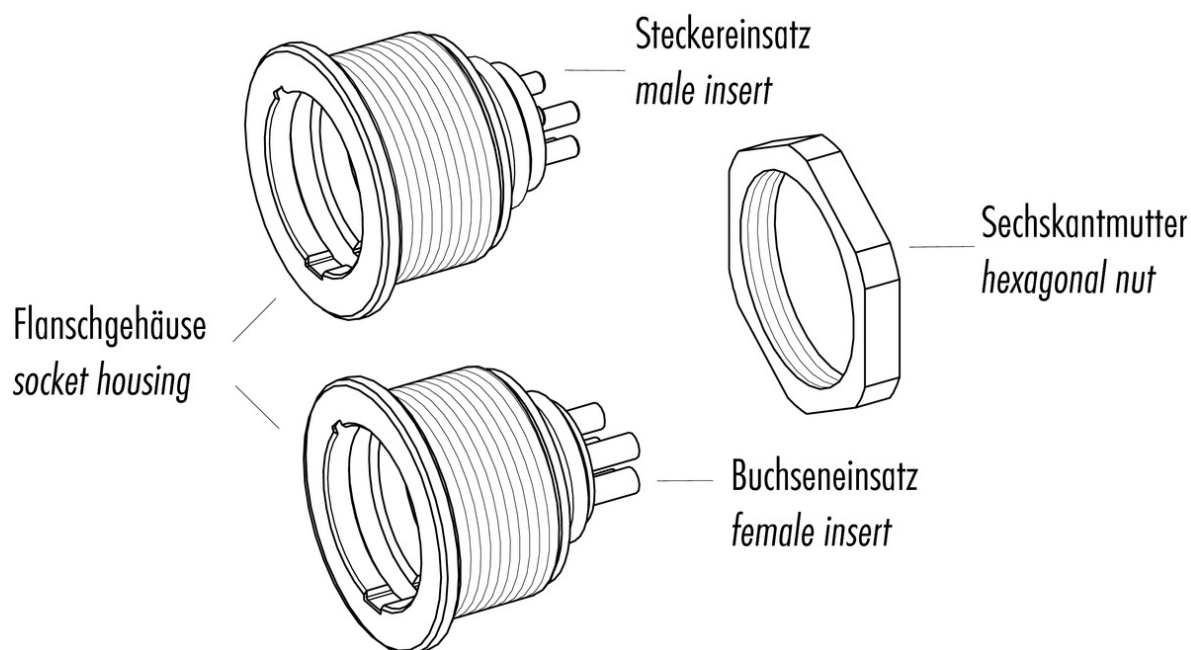
Contacts: 6 DIN, Male panel mount connector, screwed from front, shielded, IP 67  
6

Area  
Article number

Push-Pull IP67 Series 440  
09 4819 81 06

Pole

### Item description



### Installation instructions / Mounting cutout

