

# Product sheet

## Miniature connector



|         |  |                |                            |
|---------|--|----------------|----------------------------|
| Product | <b>Contacts: 5, cable plug connector with cable clamp, CRIMP connection, shieldable, cable outlet 4 – 6 mm</b> | Area           | <b>M16 IP67 Series 423</b> |
| Pole    | <b>5</b>   | Article number | <b>99 5113 700 05</b>      |

| Illustration | Scale drawing | Contact Arrangement   |  |   |   |   |      |       |   |      |      |   |      |      |   |       |      |   |       |       |
|--------------|---------------|---|--|---|---|---|------|-------|---|------|------|---|------|------|---|-------|------|---|-------|-------|
|              |               | <table border="1" style="margin-left: auto; margin-right: auto;"> <thead> <tr> <th></th> <th>X</th> <th>Y</th> </tr> </thead> <tbody> <tr> <td>1</td> <td>3,03</td> <td>-1,75</td> </tr> <tr> <td>2</td> <td>3,03</td> <td>1,75</td> </tr> <tr> <td>3</td> <td>0,00</td> <td>3,50</td> </tr> <tr> <td>4</td> <td>-3,03</td> <td>1,75</td> </tr> <tr> <td>5</td> <td>-3,03</td> <td>-1,75</td> </tr> </tbody> </table> |  | X | Y | 1 | 3,03 | -1,75 | 2 | 3,03 | 1,75 | 3 | 0,00 | 3,50 | 4 | -3,03 | 1,75 | 5 | -3,03 | -1,75 |
|              | X             | Y   |  |   |   |   |      |       |   |      |      |   |      |      |   |       |      |   |       |       |
| 1            | 3,03          | -1,75   |  |   |   |   |      |       |   |      |      |   |      |      |   |       |      |   |       |       |
| 2            | 3,03          | 1,75  |  |   |   |   |      |       |   |      |      |   |      |      |   |       |      |   |       |       |
| 3            | 0,00          | 3,50  |  |   |   |   |      |       |   |      |      |   |      |      |   |       |      |   |       |       |
| 4            | -3,03         | 1,75  |  |   |   |   |      |       |   |      |      |   |      |      |   |       |      |   |       |       |
| 5            | -3,03         | -1,75   |  |   |   |   |      |       |   |      |      |   |      |      |   |       |      |   |       |       |

You can find the item description and assembly instruction on the next page.

## Technical data

### Common values

|                          |                           |
|--------------------------|---------------------------|
| Connector Design         | Cable plug connector      |
| Connector locking system | screw                     |
| Termination              | Crimp                     |
| Wire gauge (mm)          | 0.14 -1.0 mm <sup>2</sup> |
| Wire gauge (AWG)         | 26–18                     |
| Cable outlet             | 4 - 6 mm                  |
| Upper temperature        | 95 °C                     |
| Lower temperature        | -40 °C                    |

### Electrical values

|                       |                     |
|-----------------------|---------------------|
| Rated voltage         | 250 V               |
| Rated impulse voltage | 1500 V              |
| Pollution degree      | 1                   |
| Overvoltage category  | I                   |
| Material group        | III                 |
| Rated current (40°C)  | 6 A                 |
| Volume resistivity    | ≤ 5 mΩ              |
| EMV compliance        | shielded            |
| Degree of protection  | IP67                |
| Mechanical operation  | > 500 mating cycles |

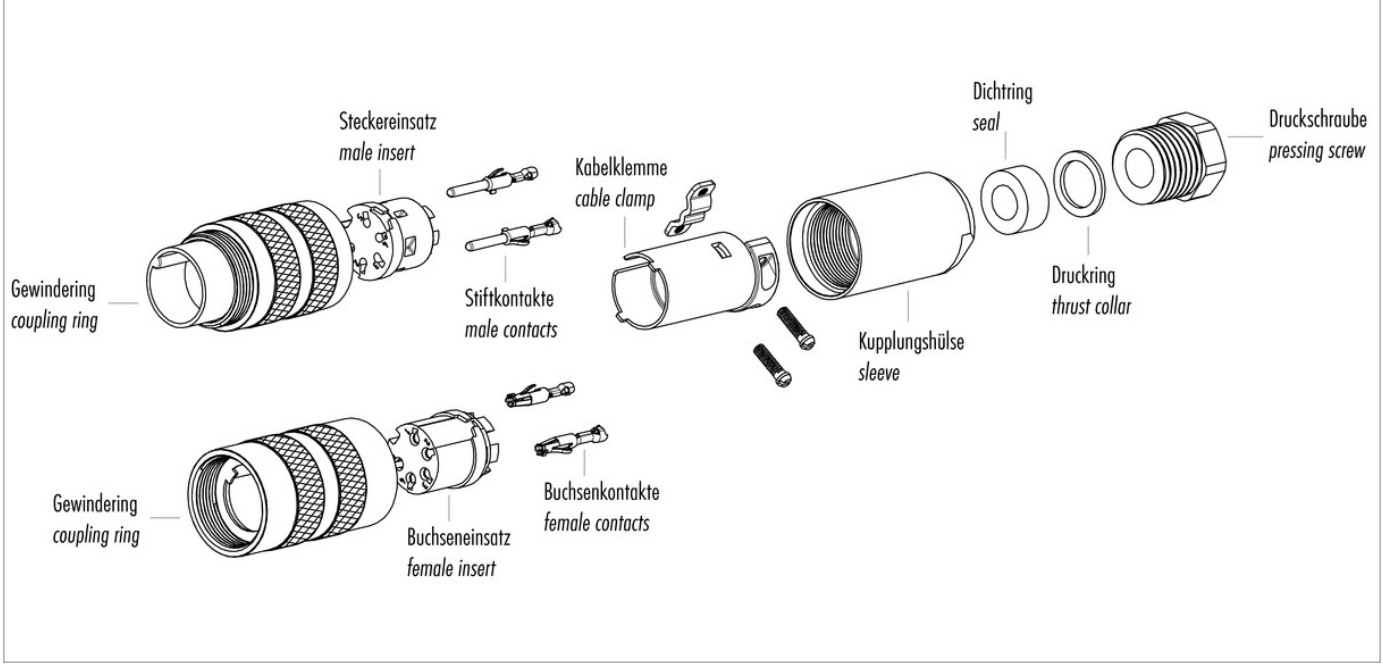
### Material

|                          |                            |
|--------------------------|----------------------------|
| Material of contact      | CuSn (Bronze)              |
| Contact plating          | Ag (Silver)                |
| Material of contact body | PBT (UL 94 V-0)            |
| Material of housing      | CuZn (Brass nickel-plated) |

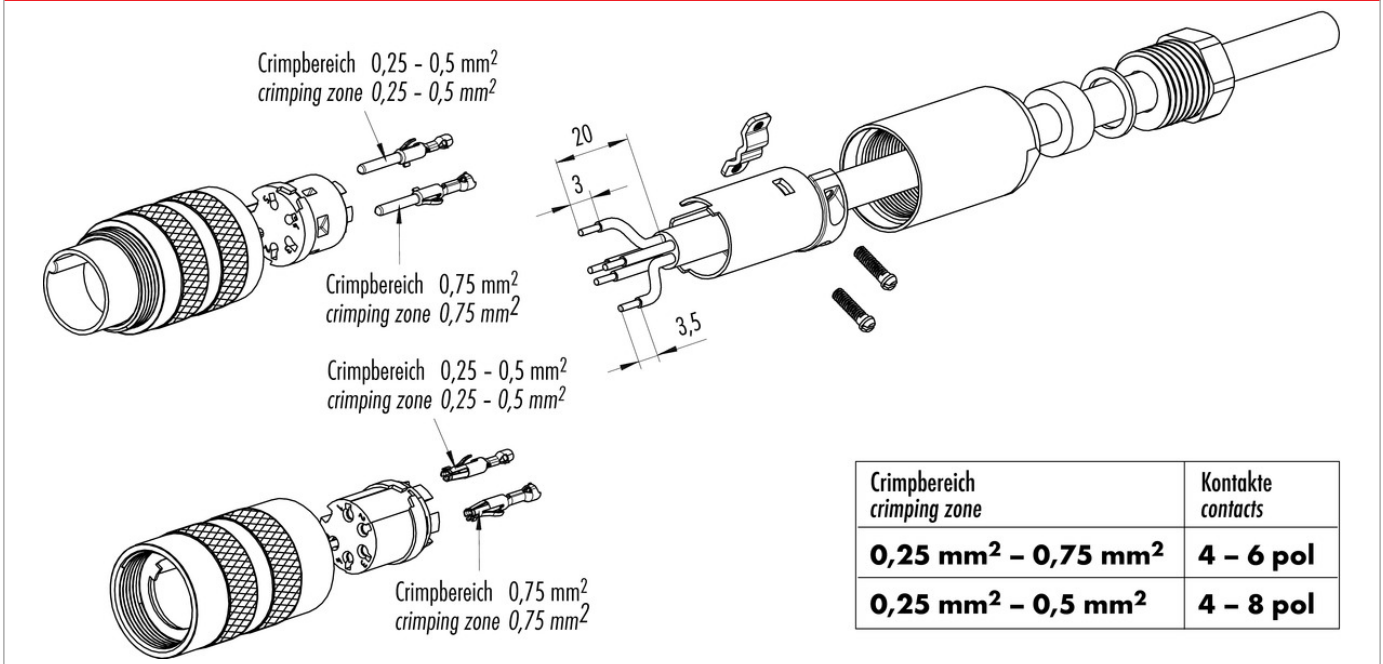
Contacts: 5, cable plug connector with cable clamp, CRIMP connection, shieldable, cable outlet 4 – 6 mm

|         |  |                |                            |
|---------|--|----------------|----------------------------|
| Product | <b>Contacts: 5, cable plug connector with cable clamp, CRIMP connection, shieldable, cable outlet 4 – 6 mm</b> | Area           | <b>M16 IP67 Series 423</b> |
| Pole    | <b>5</b>   | Article number | <b>99 5113 700 05</b>      |

Item description



Installation instructions / Mounting cutout



| Crimpbereich<br>crimping zone                    | Kontakte<br>contacts |
|--|----------------------|
| <b>0,25 mm<sup>2</sup> – 0,75 mm<sup>2</sup></b> | <b>4 – 6 pol</b>     |
| <b>0,25 mm<sup>2</sup> – 0,5 mm<sup>2</sup></b>  | <b>4 – 8 pol</b>     |