

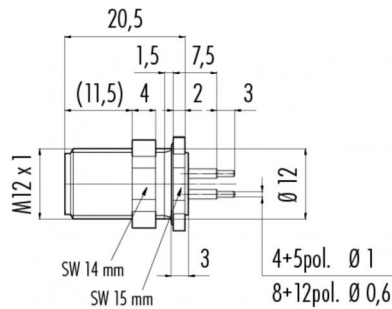
Product **Contacts: 8, Male panel mount connector, screwed from front, dip-soldered, M12 x 1, contact length 10.5 mm**

Area **M12-A Series 713/763**
Article number **86 1031 1100 00008**

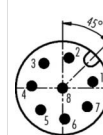
Illustration



Scale drawing



Contact Arrangement



	X	Y
1	2,69	0,57
2	0,57	2,69
3	-1,66	2,20
4	-2,75	0,19
5	-1,94	-1,94
6	0,19	-2,74
7	2,20	-1,65
8	0,00	0,00

- 1 weiß/white
- 2 braun/brown
- 3 grün/green
- 4 gelb/yellow
- 5 grau/grey
- 6 rosa/pink
- 7 blau/blue
- 8 rot/red

Geschirmte Versionen: Schirm auf Gehäuse oder Pin 8
Shielded versions: shield on housing or pin 8

You can find the assembly instruction on the next page.

Technical data

General features

Connector Design	male panel mount connector
Connector locking system	bolted
Termination	dip-solder
Upper temperature	85 °C
Lower temperature	-40 °C

Cable data

Approval 1	UL
------------	----

Electrical parameters

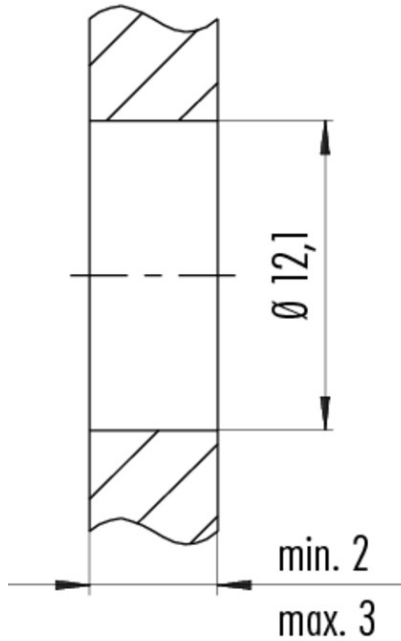
Rated voltage	30 V
Rated impulse voltage	800 V
Pollution degree	3
Overvoltage category	II
Material group	II
Rated current (40°C)	2 A
Volume resistivity	≤ 3 mΩ
EMV compliance	not shielded
Degree of protection	IP68
Mechanical operation	> 50 Mating cycles

Material

Material of contact	CuZn (Messing)
Contact plating	Au (gold)
Material of contact body	PA

Product **Contacts: 8, Male panel mount connector, screwed from front, dip-soldered, M12 x 1, contact length 10.5 mm**
Area **M12-A Series 713/763**
Article number **86 1031 1100 00008**

Installation instructions / Mounting cutout



Anzugsdrehmoment / *Tightening moment*
M12 x 1 6,25 Nm