

# Product sheet

## Subminiature connector

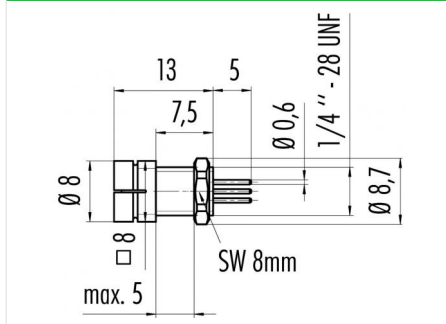


Product	<b>Contacts: 4, Male panel mount connector, dip-solder</b>	Area	<b>Snap-in IP40 Series 709/719</b>
Pole	<b>4</b>	Article number	<b>09 9765 20 04</b>

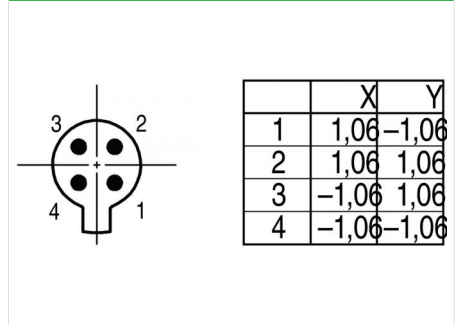
### Illustration



### Scale drawing



### Contact Arrangement



You can find the item description and assembly instruction on the next page.

## Technical data

### Common values

Connector Design	Male panel mount connector
Connector locking system	Snap
Termination	dip-solder
Wire gauge (mm)	-
Cable outlet	-
Upper temperature	70 °C
Lower temperature	-25 °C

### Cable data

material housing	-
Insulation single lead	-
Single lead structure	-
Conductor resistance	-

### Electrical values

Rated voltage	60 V
Rated impulse voltage	800 V
Pollution degree	1
Overvoltage category	II
Material group	III
Rated current (40°C)	3 A
Volume resistivity	≤ 3 mΩ
EMV compliance	not shieldable
Degree of protection	IP40
Mechanical operation	> 100 mating cycles

### Material

Material of contact	CuZn (Brass)
Contact plating	Au (Gold)
Material of contact body	PA
Material of housing	PA

Contacts: 4, Male panel mount connector, dip-solder

Product  
Pole

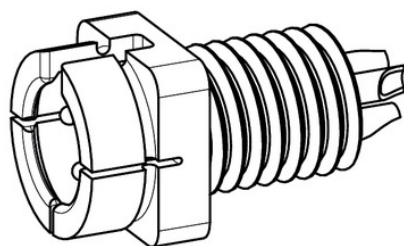
Contacts: 4, Male panel mount connector,  
dip-solder  
4

Area  
Article number

Snap-in IP40 Series 709/719  
09 9765 20 04

### Item description

Steckereinsatz  
*male insert*



Sechskantmutter  
*hexagonal nut*

### Installation instructions / Mounting cutout

Ø 6,4

