
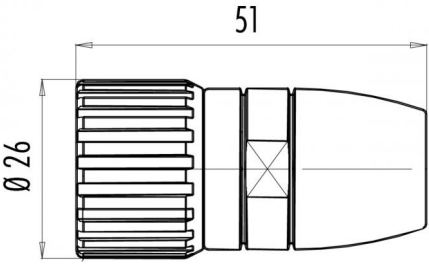
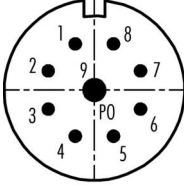


Product sheet

Output connector



Product	Contacts: 9, Cable plug connector, shieldable (the pin and socket insert counter-rotate in right and left turning models)	Area Article number	M23 Power Series 623 99 4619 10 09
Pole	9		

Illustration	Scale drawing	Contact Arrangement																														
		 <table border="1" style="margin-left: auto; margin-right: auto;"> <thead> <tr> <th></th> <th>X</th> <th>Y</th> </tr> </thead> <tbody> <tr><td>1</td><td>-1,80</td><td>4,35</td></tr> <tr><td>2</td><td>-4,35</td><td>1,80</td></tr> <tr><td>3</td><td>-4,35</td><td>-1,80</td></tr> <tr><td>4</td><td>-1,80</td><td>-4,35</td></tr> <tr><td>5</td><td>1,80</td><td>-4,35</td></tr> <tr><td>6</td><td>4,35</td><td>-1,80</td></tr> <tr><td>7</td><td>4,35</td><td>1,80</td></tr> <tr><td>8</td><td>1,80</td><td>4,35</td></tr> <tr><td>9</td><td>0,00</td><td>0,00</td></tr> </tbody> </table>		X	Y	1	-1,80	4,35	2	-4,35	1,80	3	-4,35	-1,80	4	-1,80	-4,35	5	1,80	-4,35	6	4,35	-1,80	7	4,35	1,80	8	1,80	4,35	9	0,00	0,00
	X	Y																														
1	-1,80	4,35																														
2	-4,35	1,80																														
3	-4,35	-1,80																														
4	-1,80	-4,35																														
5	1,80	-4,35																														
6	4,35	-1,80																														
7	4,35	1,80																														
8	1,80	4,35																														
9	0,00	0,00																														

You can find the assembly instruction on the next page.

Technical data

Common values

Connector Design	Cable plug connector
Connector locking system	screw
Termination	Solder
Wire gauge (mm)	8x1.5/ 1x2.5 mm ²
Wire gauge (AWG)	8x16/ 1x14
Cable outlet	6 - 10 mm
Upper temperature	125 °C
Lower temperature	-20 °C

Electrical values

Rated voltage	300 V
Rated impulse voltage	2500 V
Pollution degree	3
Overvoltage category	II
Material group	III
Rated current (40°C)	8x8A/ 1x20A
Volume resistivity	≤ 3 mΩ
EMV compliance	shielded
Degree of protection	IP67
Mechanical operation	> 50 mating cycles

Material

Material of contact	CuZn (Brass)
Contact plating	Au (Gold)
Material of contact body	PBT/PA66
Material of housing	CuZn (Brass nickel-plated)

Contacts: 9, Cable plug connector, shieldable, left-turning

Product

Contacts: 9, Cable plug connector, shieldable (the pin and socket insert counter-rotate in right and left turning models)

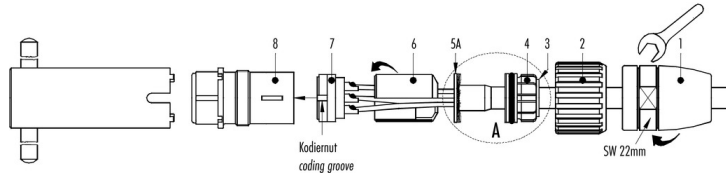
Area
Article number

**M23 Power Series 623
99 4619 10 09**

Pole

9

Installation instructions / Mounting cutout



- Adapter Pos. 1, Überwurfmutter Pos. 2, Dichtelement Pos. 4 mit Dichtung Pos. 3 auf das Kabel schieben.
- Kabel-Außenmantel 23 mm abisolieren.
- Detail A: Schirmgeflecht 90° hochstellen, Schirmhülse Pos. 5A über die Folie bzw. Baumwollgeflecht jedoch unter das Schirmgeflecht mit drehender Bewegung schieben. Schirmgeflecht bündig mit Außendurchmesser Schirmhülse Pos. 5A abschneiden.
- Folie, Füller und innere Isolierungen abschneiden.
- Litzen 3,5 mm abisolieren, verdrehen und verzinnen.
- Litzen an Kontakte löten, crimpen oder schrauben.
- Distanzhülse Pos. 6 einfügen.
- Einsatz Pos. 7 und Distanzhülse Pos. 6 in Einsatzhülse Pos. 8 einführen. Hierbei ist zu beachten, daß die gewünschte Kodiernut des Einsatzes Pos. 7 in den Kodiersteg eingeführt wird.
- Kabel mit Schirm- und Dichttheit eindrücken.
- Adapter Pos. 1 Festschrauben auf Anschlag.

Anzugsdrehmoment für Klemmschraube Kontakteinsatz Pos. 7 mit Schraubkontakten beachten:

- max. 0,1 Nm für Schraubkontakte Steckdurchmesser 1 mm
- max. 0,2 Nm für Schraubkontakte Steckdurchmesser 2 mm

- Push the adapter (1), the coupling nut (2) and the sealing ring (4) with the gasket (3) onto the cable.
- Strip the cable coating by 23 mm.
- Detail A: Push back the shielding braid so it stands out at 90°. With a rotating motion, push the shielding braid (5A) over the foil or cotton braid and under the shielding braid. Cut the shielding braid and flush with the external diameter of the shielded sleeve (5A).
- Trim foil, filler and inner insulation.
- Strip the single wires by 3.5 mm, twist and tin.
- Solder, crimp or screw the single wires to the contacts.
- Insert the distance shell (6).
- Guide the insert (7) and distance shell (6) into the insert sleeve (8), mind that the desired coding groove of the insert (7) is pushed into the coding bar.
- Press in the cable with the shield and sealing unit.
- Screw the adapter (1) as tight as possible.

Please note: torque for clamping screw for contact insert (7) with screw contacts:

- max. 0.1 Nm for screw contacts with mating dia. 1 mm
- max. 0.2 Nm for screw contacts with mating dia. 2 mm