

Product sheet

Miniature connector



| | | | |
|---------|--|----------------|----------------------------|
| Product | Contacts: 5, Female cable connector with cable clamp, CRIMP connection, shieldable, cable outlet 4 – 6 mm | Area | M16 IP67 Series 423 |
| Pole | 5 | Article number | 99 5114 700 05 |

| Illustration | Scale drawing | Contact Arrangement | | | | | | | | | | | | | | | | | | |
|--------------|---------------|---|--|---|---|---|-------|-------|---|-------|------|---|------|------|---|------|------|---|------|-------|
| | | <table border="1" style="margin-left: 20px;"> <thead> <tr> <th></th> <th>X</th> <th>Y</th> </tr> </thead> <tbody> <tr> <td>1</td> <td>-3,03</td> <td>-1,75</td> </tr> <tr> <td>2</td> <td>-3,03</td> <td>1,75</td> </tr> <tr> <td>3</td> <td>0,00</td> <td>3,50</td> </tr> <tr> <td>4</td> <td>3,03</td> <td>1,75</td> </tr> <tr> <td>5</td> <td>3,03</td> <td>-1,75</td> </tr> </tbody> </table> | | X | Y | 1 | -3,03 | -1,75 | 2 | -3,03 | 1,75 | 3 | 0,00 | 3,50 | 4 | 3,03 | 1,75 | 5 | 3,03 | -1,75 |
| | X | Y | | | | | | | | | | | | | | | | | | |
| 1 | -3,03 | -1,75 | | | | | | | | | | | | | | | | | | |
| 2 | -3,03 | 1,75 | | | | | | | | | | | | | | | | | | |
| 3 | 0,00 | 3,50 | | | | | | | | | | | | | | | | | | |
| 4 | 3,03 | 1,75 | | | | | | | | | | | | | | | | | | |
| 5 | 3,03 | -1,75 | | | | | | | | | | | | | | | | | | |

You can find the item description and assembly instruction on the next page.

Technical data

Common values

| | |
|--------------------------|---------------------------|
| Connector Design | Female cable connector |
| Connector locking system | screw |
| Termination | Crimp |
| Wire gauge (mm) | 0.14 -1.0 mm ² |
| Wire gauge (AWG) | 26–18 |
| Cable outlet | 4 - 6 mm |
| Upper temperature | 95 °C |
| Lower temperature | -40 °C |

Electrical values

| | |
|-----------------------|---------------------|
| Rated voltage | 250 V |
| Rated impulse voltage | 1500 V |
| Pollution degree | 1 |
| Overvoltage category | I |
| Material group | III |
| Rated current (40°C) | 6 A |
| Volume resistivity | ≤ 5 mΩ |
| EMV compliance | shielded |
| Degree of protection | IP67 |
| Mechanical operation | > 500 mating cycles |

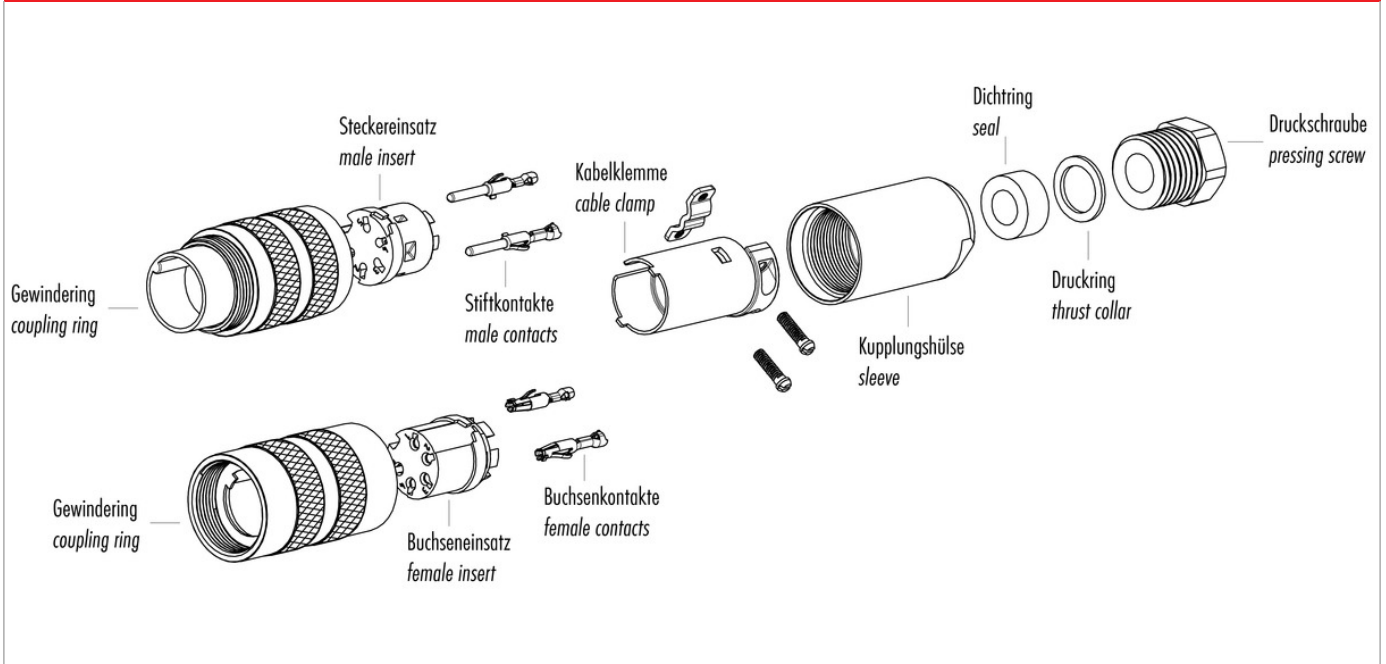
Material

| | |
|--------------------------|----------------------------|
| Material of contact | CuSn (Bronze) |
| Contact plating | Ag (Silver) |
| Material of contact body | PBT (UL 94 V-0) |
| Material of housing | CuZn (Brass nickel-plated) |

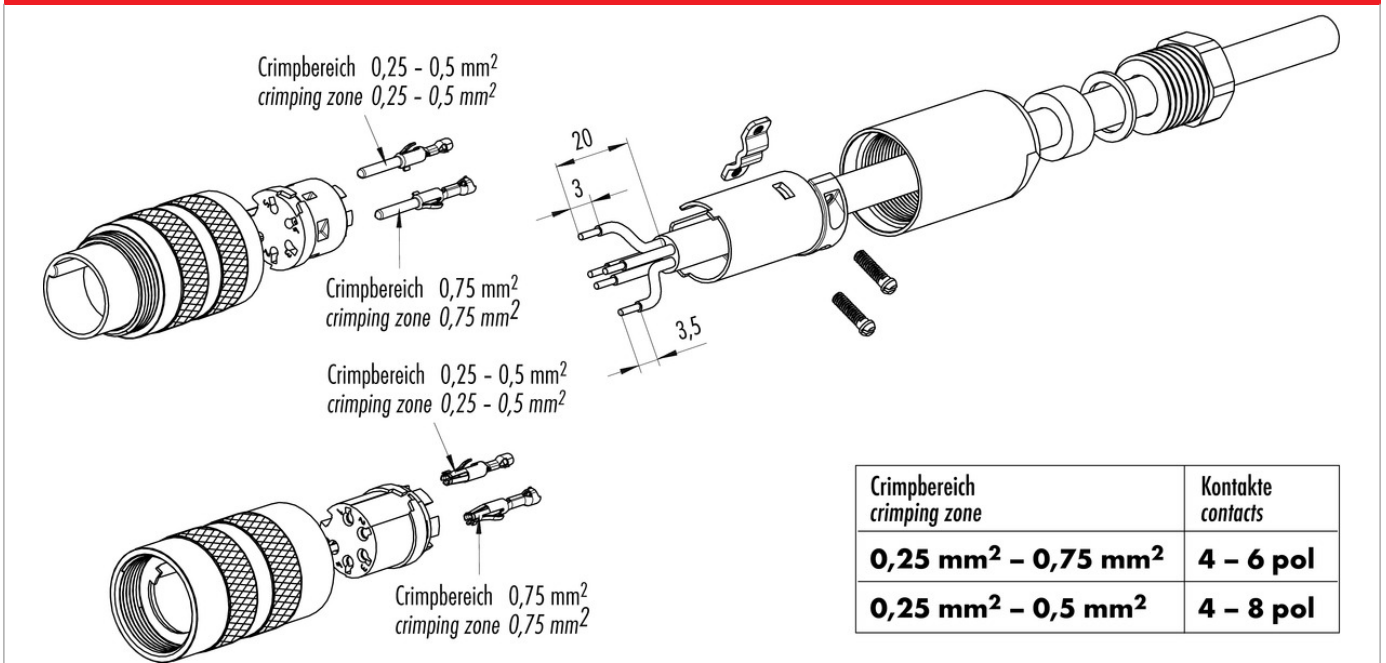
Contacts: 5, Female cable connector with cable clamp, CRIMP connection, shieldable, cable outlet 4 – 6 mm

| | | | |
|---------|--|----------------|----------------------------|
| Product | Contacts: 5, Female cable connector with cable clamp, CRIMP connection, shieldable, cable outlet 4 – 6 mm | Area | M16 IP67 Series 423 |
| Pole | 5 | Article number | 99 5114 700 05 |

Item description



Installation instructions / Mounting cutout



| Crimpbereich crimping zone | Kontakte contacts |
|--|----------------------|
| 0,25 mm² – 0,75 mm² | 4 – 6 pol |
| 0,25 mm² – 0,5 mm² | 4 – 8 pol |