

Product sheet

Subminiature connector

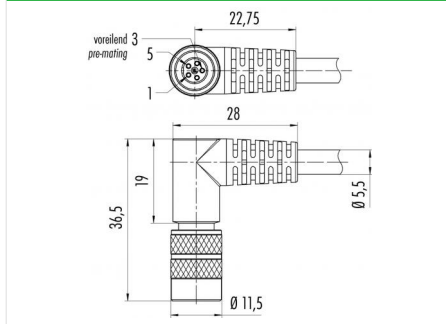


| | | | |
|---------|---|----------------|---------------------------|
| Product | Contacts: 7, Female angled connector overmoulded | Area | M9 IP67 Series 702 |
| Pole | 7 | Article number | 79 1422 75 07 |

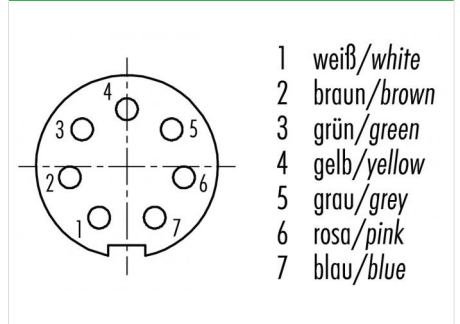
Illustration



Scale drawing



Contact Arrangement



Technical data

Common values

| | |
|--------------------------|-------------------------|
| Connector Design | Female angled connector |
| Connector locking system | screw |
| Termination | overmoulded on cable |
| Wire gauge (mm) | 0.14 mm ² |
| Wire gauge (AWG) | 26 |
| Cable outlet | - |
| Upper temperature | 70 °C |
| Lower temperature | -25 °C |

Cable data

| | |
|------------------------------|--------------|
| material housing | PUR |
| Insulation single lead | PVC |
| Single lead structure | 18 x 0.10 mm |
| Cable sheath Ø | 5.3 |
| Conductor resistance | 75Ω/Km |
| Bending radius cable fixed | Min. 53 mm |
| Bending radius cable movable | Min. 80 mm |
| Cable diameter | 5.3 |

Electrical values

| | |
|-----------------------|---------------------|
| Rated voltage | 125 V |
| Rated impulse voltage | 1500 V |
| Pollution degree | 1 |
| Overvoltage category | II |
| Material group | III |
| Rated current (40°C) | 1 A |
| Volume resistivity | ≤ 3 mΩ |
| EMV compliance | shielded |
| Degree of protection | IP67 |
| Mechanical operation | > 500 mating cycles |

Material

| | |
|--------------------------|-----------------|
| Material of contact | CuSn (Bronze) |
| Contact plating | Au (Gold) |
| Material of contact body | PBT (UL 94 V-0) |
| Material of housing | PUR |

Contacts: 7, female angled connector overmoulded, shielded, cable length 5 m