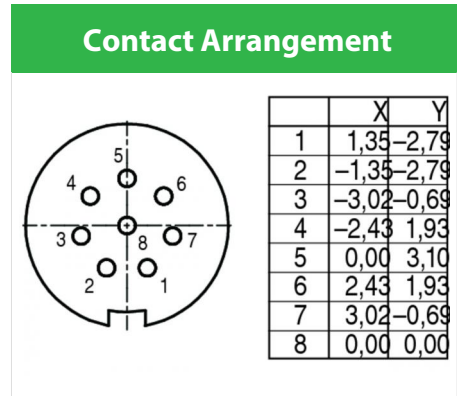
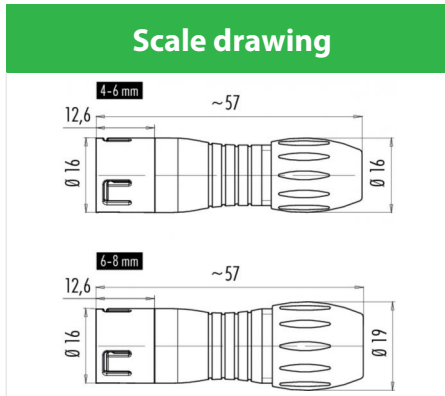


Product	Female cable connector, cable outlet 4 - 6 mm, lightgrey
Area	Snap-in IP67, miniature Series
Article number	99 9126 400 08



You can find the item description on the next page.

Technical data

General features

Connector Design	Female cable connector
Connector locking system	snap
Termination	solder
Wire gauge (mm)	0,25 mm ²
Wire gauge (AWG)	24
Cable outlet	4 - 6 mm
Upper temperature	85 °C
Lower temperature	-40 °C

Electrical parameters

Rated voltage	125 V
Rated impulse voltage	1500 V
Pollution degree	2
Overvoltage category	II
Material group	II
Rated current (40°C)	2 A
Volume resistivity	≤ 3 mΩ
EMV compliance	not shielded
Degree of protection	IP67

Material

Material of contact	CuZn (Messing)
Contact plating	Au (gold)
Material of contact body	PA (UL 94 V-0)

Product **Female cable connector, cable outlet 4 - 6 mm, lightgrey**

Area **Snap-in IP67, miniature Series**
Article number **99 9126 400 08**

Item description

