

# Product sheet

## Subminiature connector



|         |  |                |                           |
|---------|--|----------------|---------------------------|
| Product | <b>Contacts: 5, Cable plug connector, 360°<br/>EMC safe, cable outlet 3.5-5 mm</b> | Area           | <b>M9 IP67 Series 712</b> |
| Pole    | <b>5</b>   | Article number | <b>99 0413 10 05</b>      |

| Illustration | Scale drawing | Contact Arrangement  |  |   |   |   |      |       |   |      |      |   |      |      |   |       |      |   |       |       |
|--------------|---------------|--|--|---|---|---|------|-------|---|------|------|---|------|------|---|-------|------|---|-------|-------|
|              |               | <table border="1"> <thead> <tr> <th></th> <th>X</th> <th>Y</th> </tr> </thead> <tbody> <tr> <td>1</td> <td>1,00</td> <td>-1,37</td> </tr> <tr> <td>2</td> <td>1,61</td> <td>0,52</td> </tr> <tr> <td>3</td> <td>0,00</td> <td>1,70</td> </tr> <tr> <td>4</td> <td>-1,61</td> <td>0,52</td> </tr> <tr> <td>5</td> <td>-1,00</td> <td>-1,37</td> </tr> </tbody> </table> |  | X | Y | 1 | 1,00 | -1,37 | 2 | 1,61 | 0,52 | 3 | 0,00 | 1,70 | 4 | -1,61 | 0,52 | 5 | -1,00 | -1,37 |
|              | X             | Y  |  |   |   |   |      |       |   |      |      |   |      |      |   |       |      |   |       |       |
| 1            | 1,00          | -1,37  |  |   |   |   |      |       |   |      |      |   |      |      |   |       |      |   |       |       |
| 2            | 1,61          | 0,52   |  |   |   |   |      |       |   |      |      |   |      |      |   |       |      |   |       |       |
| 3            | 0,00          | 1,70   |  |   |   |   |      |       |   |      |      |   |      |      |   |       |      |   |       |       |
| 4            | -1,61         | 0,52   |  |   |   |   |      |       |   |      |      |   |      |      |   |       |      |   |       |       |
| 5            | -1,00         | -1,37  |  |   |   |   |      |       |   |      |      |   |      |      |   |       |      |   |       |       |

You can find the item description and assembly instruction on the next page.

## Technical data

### Common values

|                          |                      |
|--------------------------|----------------------|
| Connector Design         | Cable plug connector |
| Connector locking system | screw                |
| Termination              | Solder               |
| Wire gauge (mm)          | 0.25 mm <sup>2</sup> |
| Wire gauge (AWG)         | 24                   |
| Cable outlet             | 3.5 - 5 mm           |
| Upper temperature        | 85 °C                |
| Lower temperature        | -40 °C               |

### Cable data

|                        |   |
|------------------------|---|
| material housing       | - |
| Insulation single lead | - |
| Single lead structure  | - |
| Conductor resistance   | - |

### Electrical values

|                       |                     |
|-----------------------|---------------------|
| Rated voltage         | 125 V               |
| Rated impulse voltage | 1500 V              |
| Pollution degree      | 1                   |
| Overvoltage category  | II                  |
| Material group        | III                 |
| Rated current (40°C)  | 3 A                 |
| Volume resistivity    | ≤ 3 mΩ              |
| EMV compliance        | shieldable          |
| Degree of protection  | IP67                |
| Mechanical operation  | > 500 mating cycles |

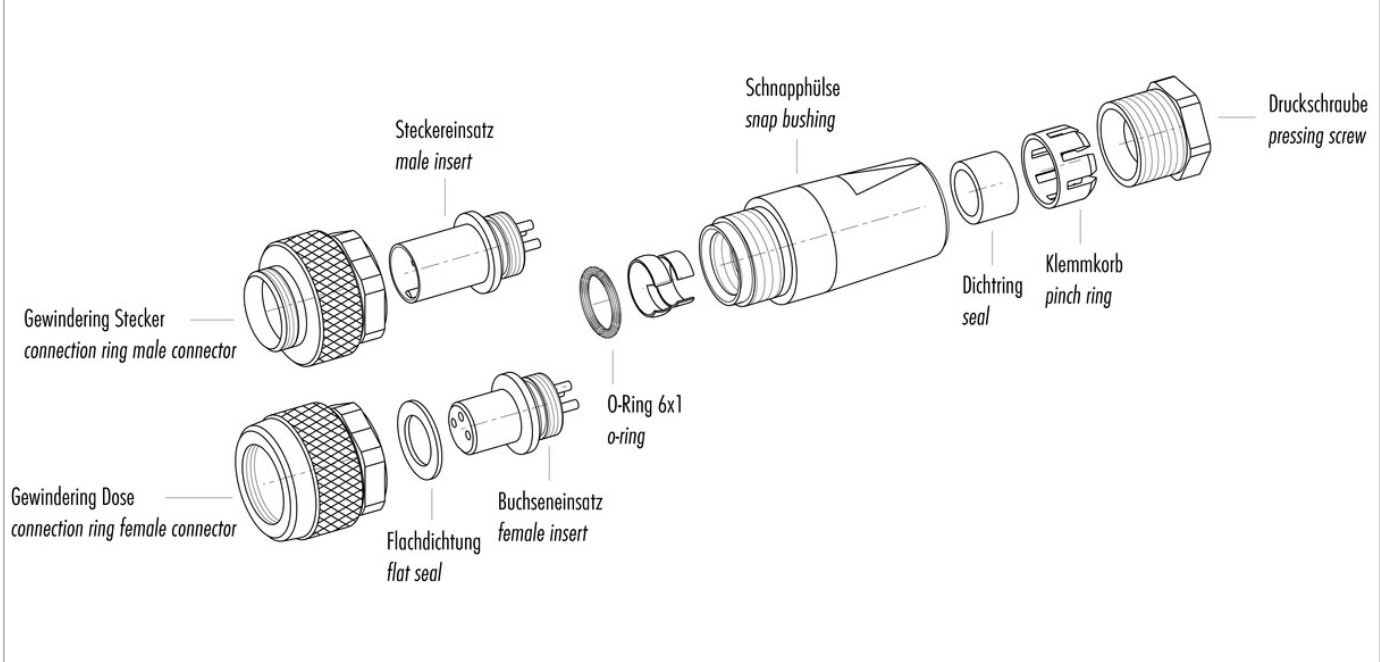
### Material

|                          |                            |
|--------------------------|----------------------------|
| Material of contact      | CuZn (Brass)               |
| Contact plating          | Au (Gold)                  |
| Material of contact body | PBT (UL 94 V-0)            |
| Material of housing      | CuZn (Brass nickel-plated) |

Contacts: 5, Cable plug connector, 360° EMC safe, shieldable, cable outlet 3.5-5 mm

|         |  |                |                           |
|---------|--|----------------|---------------------------|
| Product | <b>Contacts: 5, Cable plug connector, 360°<br/>EMC safe, cable outlet 3.5-5 mm</b> | Area           | <b>M9 IP67 Series 712</b> |
| Pole    | <b>5</b>   | Article number | <b>99 0413 10 05</b>      |

**Item description**



**Installation instructions / Mounting cutout**

|   |   |  |
|---|---|--|
| <p>1. Teile auffädeln, Kabel abmanteln, Schirm kürzen, Leiter abisolieren</p>                   | <p>1. Bead parts, dismantle cable, shorten shield, strip wire</p>               | <p>3 abisolieren strip<br/>abmanteln dismantle<br/>min. 10<br/>max. 12<br/>~ 4 Schirm shield</p> |
| <p>2. Schirm umlegen, Schirmmanschette an Kabeldurchmesser anpassen und mit Schirm verlöten</p> | <p>2. Fold shield back, fit collar to cable diameter and solder with shield</p> |  |
| <p>3. Überstehendes Geflecht abschneiden, Kontakteinsatz anlöten</p>                            | <p>3. Cut off projecting shielding braid, solder insert</p>                     |  |
| <p>4. Übrige Teile gemäß Darstellung montieren</p>  | <p>4. Mount remaining parts acc. to figure</p>                                  |  |