

# Product sheet

## Miniature connector

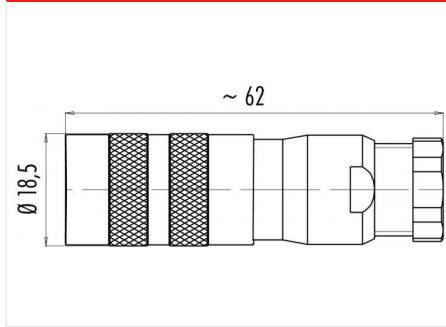


Product	<b>Contacts: 3 DIN, Female cable connector with shielding ring, shieldable, cable outlet 6 - 8 mm, with UL approval</b>	Area	<b>M16 IP67 Series 423</b>
Pole	<b>3 DIN</b>	Article number	<b>99 5606 19 03</b>

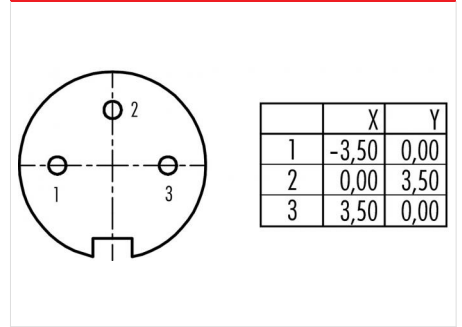
### Illustration



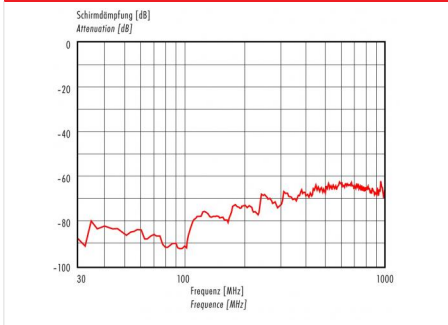
### Scale drawing



### Contact Arrangement



### Attenuation characteristic



You can find the item description and assembly instruction on the next page.

## Technical data

### Common values

Connector Design	Female cable connector
Connector locking system	screw
Termination	Solder
Wire gauge (mm)	0.75 mm <sup>2</sup>
Wire gauge (AWG)	20
Cable outlet	6 - 7.8 mm
Upper temperature	95 °C
Lower temperature	-40 °C

### Electrical values

Rated voltage	250 V
Rated impulse voltage	1500 V
Pollution degree	1
Overtoltage category	I
Material group	III
Rated current (40°C)	7 A
Volume resistivity	≤ 3 mΩ
EMV compliance	shielded
Degree of protection	IP67
Mechanical operation	> 500 mating cycles

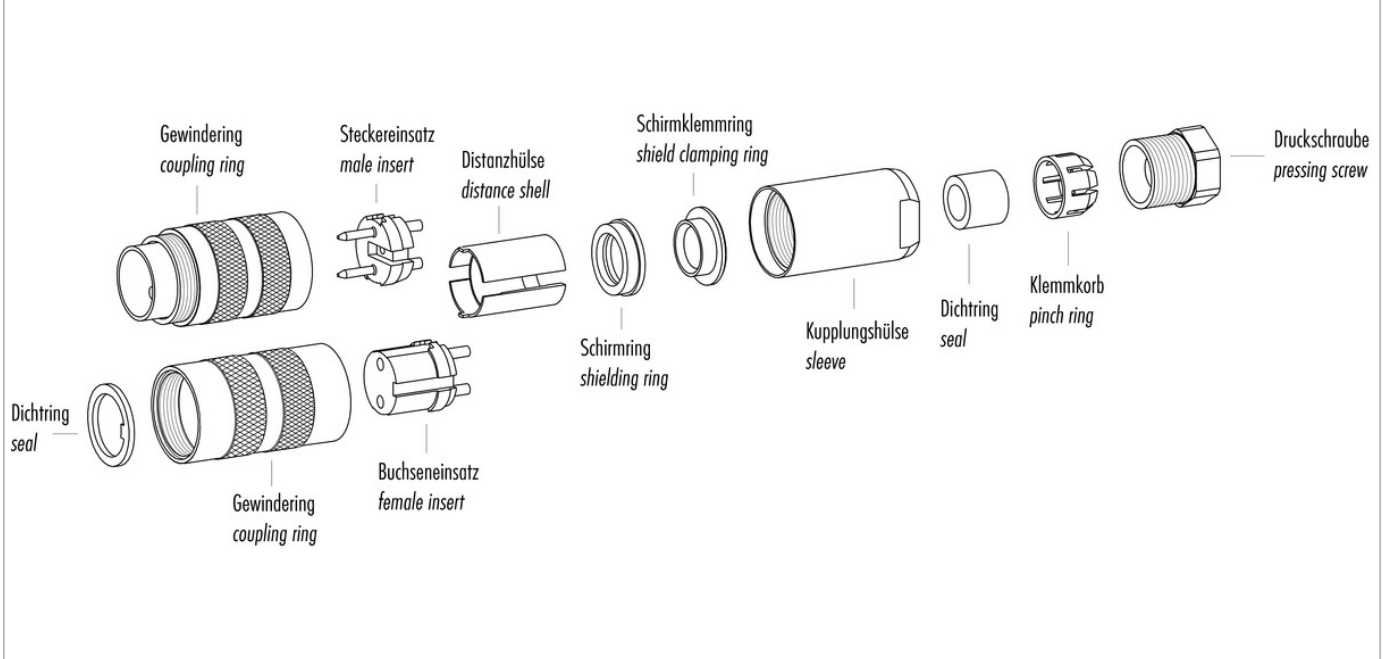
### Material

Material of contact	CuSn (Bronze)
Contact plating	Au (Gold)
Material of contact body	PBT (UL 94 V-0)
Material of housing	CuZn (Brass nickel-plated)

Contacts 3 DIN, female cable connector with shielding ring, shieldable, cable outlet 6 – 8 mm, gold plated contacts

Product	<b>Contacts: 3 DIN, Female cable connector with shielding ring, shieldable, cable outlet 6 - 8 mm, with UL approval 3 DIN</b>	Area	<b>M16 IP67 Series 423</b>
Pole		Article number	<b>99 5606 19 03</b>

Item description



Installation instructions / Mounting cutout

**Gerade Version**

(Ausführung mit Schirmklemmring)

1. Druckschraube, Klemmkorb, Dichtung, Distanzhülse und ersten Schirmklemmring auffädeln.
2. Litzen abisolieren, Schirm aufweiten und zweiten Schirmklemmring auffädeln.
3. Litzen anlöten, Distanzhülse montieren, die beiden Klemmringe mit dem Schirm zusammenschieben und überstehenden Schirm abschneiden.
4. Übrige Teile gemäß Darstellung montieren.

**Straight version**

(Version with shield clamping ring)

1. Bead pressing screw, pinch ring, seal, distance shell and first shield clamping ring on cable.
2. Strip wires, widen shield and bead second shield clamping ring.
3. Solder wires, snap distance shell, push the two shield clamping rings together and cutt off projecting shielding braid.
4. Assemble remaining parts according to picture.

