

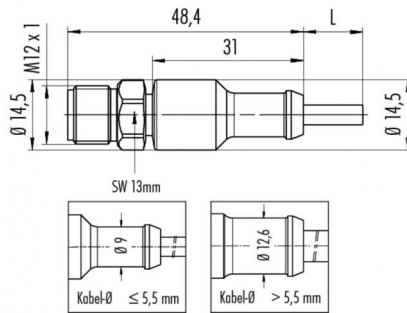
Product **male cable connector, overmoulded, stainless steel, PVC cable**

Area **M12-A Series 763 FOOD & BEVERAGE**  
Article number **77 3729 0000 20405-0200**

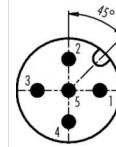
### Illustration



### Scale drawing



### Contact Arrangement



	X	Y
1	2,50	0,00
2	0,00	2,50
3	-2,50	0,00
4	0,00	-2,50
5	0,00	0,00

- 1 braun/brown
- 2 weiß/white
- 3 blau/blue
- 4 schwarz/black
- 5 grau/grey

Geschirmte Versionen: Schirm auf Gehäuse  
Shielded versions: shield on housing

## Technical data

### General features

Connector Design	Cable Connector
Connector locking system	bolted
Termination	crimp, overmoulded on cable
Wire gauge (mm)	0,34
Wire gauge (AWG)	22
Upper temperature	105 °C
Lower temperature	-40 °C

### Cable data

material housing	PVC
Insulation single lead	PVC
Single lead structure	32x0,1
Cable sheath Ø	4.8
Conductor resistance	79 Ω/Km (20°C)
Temperature range cable movable °C from	-5
Temperature range cable movable °C to	105
Temperature range cable fixed °C from	-40
Temperature range cable fixed °C to	105
Bending radius cable fixed	min. 5 x D
Bending radius cable movable	min. 10 x D
Approval 1	UL listed
Approval 2	Ecolab

### Electrical parameters

Rated voltage	60 V
Rated impulse voltage	1500 V
Pollution degree	3
Overvoltage category	II
Material group	II
Rated current (40°C)	4 A
Volume resistivity	≤ 3 mΩ
EMV compliance	not shielded
Degree of protection	IP69K
Mechanical operation	> 100 Mating cycles

### Material

Material of contact	CuSn (Bronze)
Contact plating	Au (gold)
Material of contact body	PP
Material of housing	PP